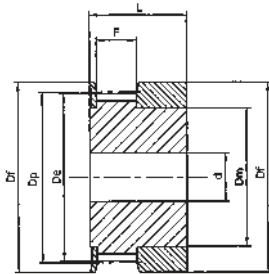


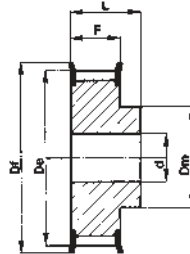


## **PULEGGE DENTATE PER CINGHIE HTD®**

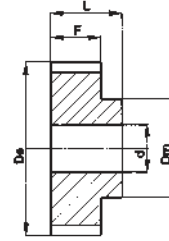
Timing belt pulleys HTD®  
HTD® Zahnriemenscheiben  
Poulies dentées HTD®  
Poleas para correas dentadas HTD®



**Tipo / Type**  
**1F**



**Tipo / Type**  
**6F**



**Tipo / Type**  
**6**

### HTD® 3M-06

Caratteristiche Features Merkmale Características	Codice Code symbol Bezeichnung Code symbole Numero de fabrica	Nostro codice Our code Unser Code Notre code Nuestro codigo	Tipo Type Typ Type Tipo	Codice flangia Flange code Bordscheiben Typ Code flasque Código brida	N. denti N. of teeth Zähnezahl N. bre de dents Cantidad de dientes	Dp	De	Df	Dm	F	L	Foro stock Stock bore Vor bohrung Alesage en stock Agujero de stock	Peso Weight / Gewicht Poids / Peso Kg
Alluminio / Aluminium / Aluminium / Aluminium / Aluminium 6082 T6 UNI 9006/4  con flangia / with flanges mit Flanges / avec flasques con tapetas	<b>10 3M 06</b>	<b>03M0610</b>	1F	FL501	10	9,55	8,79	13,0	6,0	7,2	14,5	4	
	<b>12 3M 06</b>	<b>03M0612</b>	1F	FL502	12	11,46	10,70	15,0	8,0	7,2	14,5	4	
	<b>14 3M 06</b>	<b>03M0614</b>	1F	FL503	14	13,37	12,61	16,0	9,5	7,2	14,5	4	
	<b>15 3M 06</b>	<b>03M0615</b>	1F	FL516	15	14,32	13,56	17,5	10,5	7,2	14,5	4	
	<b>16 3M 06</b>	<b>03M0616</b>	6F	FL504	16	15,28	14,52	17,5	10,0	9,8	17,5	4	
	<b>18 3M 06</b>	<b>03M0618</b>	6F	FL505	18	17,19	16,43	20,0	11,0	9,8	17,5	6	
	<b>20 3M 06</b>	<b>03M0620</b>	6F	FL517	20	19,10	18,34	23,0	13,0	9,8	17,5	6	
	<b>21 3M 06</b>	<b>03M0621</b>	6F	FL518	21	20,05	19,29	25,0	13,0	9,8	17,5	6	
	<b>22 3M 06</b>	<b>03M0622</b>	6F	FL518	22	21,01	20,25	25,0	13,0	9,8	17,5	6	
	<b>24 3M 06</b>	<b>03M0624</b>	6F	FL518	24	22,92	22,16	25,0	13,0	9,8	17,5	6	
	<b>26 3M 06</b>	<b>03M0626</b>	6F	FL508	26	24,83	24,07	28,0	16,0	9,8	17,5	6	
	<b>28 3M 06</b>	<b>03M0628</b>	6F	FL509	28	26,74	25,98	32,0	18,0	9,8	17,5	6	
	<b>30 3M 06</b>	<b>03M0630</b>	6F	FL509	30	28,65	27,89	32,0	20,0	9,8	17,5	6	
	<b>32 3M 06</b>	<b>03M0632</b>	6F	FL510	32	30,56	29,80	36,0	22,0	9,8	17,5	6	
<b>36 3M 06</b>	<b>03M0636</b>	6F	FL519	36	34,38	33,62	39,0	26,0	10,3	18,0	6		
<b>40 3M 06</b>	<b>03M0640</b>	6F	FL513	40	38,20	37,44	42,0	28,0	10,3	18,0	6		
<b>44 3M 06</b>	<b>03M0644</b>	6F	FL520	44	42,02	41,26	48,0	33,0	10,3	18,0	6		
senza flangia / without flanges ohne Flanschen / sans flasques sin tapetas	<b>48 3M 06</b>	<b>03M0648</b>	6	-	48	45,84	45,08	-	33,0	10,3	18,6	8	
	<b>60 3M 06</b>	<b>03M0660</b>	6	-	60	57,30	56,54	-	33,0	10,3	18,6	8	
	<b>72 3M 06</b>	<b>03M0672</b>	6	-	72	68,75	67,99	-	33,0	10,3	18,6	8	

**Pulegge dentate per cinghie HTD® / Timing belt pulleys HTD®**  
**HTD® Zahnriemenscheiben / Poulies dentées HTD®**  
**Poleas para correas dentadas HTD®**

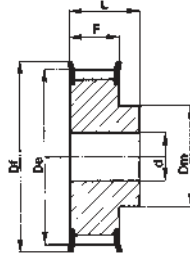


**HTD® 3M-09**

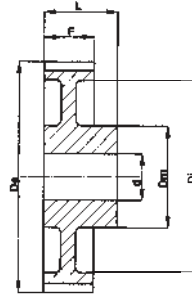
Caratteristiche Features Merkmale Características Características	Codice Code symbol Bezeichnung Code symbole Numero de fabrica	Nostro codice Our code Unser Code Notre code Nuestro código	Tipo Type Typ Type Tipo	Codice flangia Flange code Bordscheiben Typ Code flasque Código brida	N. denti N. of teeth Zähnezahl N. bre de dents Cantidad de dientes	Dp	De	Df	Dm	F	L	Foro stock Stock bore Vor bohrung Alesage en stock Agujero de stock	Peso Weight / Gewicht Poids / Peso Kg	
Alluminio / Aluminium / Aluminium / Aluminium / Aluminium 6082 T6 UNI 9006/4	<b>10 3M 09</b>	<b>03M0910</b>	1F	FL501	10	9,55	8,79	13,0	6,0	10,2	17,5	4	0,004	
	<b>12 3M 09</b>	<b>03M0912</b>	1F	FL502	12	11,46	10,70	15,0	8,0	10,2	17,5	4	0,006	
	<b>14 3M 09</b>	<b>03M0914</b>	1F	FL503	14	13,37	12,61	16,0	9,5	10,2	17,5	4	0,007	
	<b>15 3M 09</b>	<b>03M0915</b>	1F	FL516	15	14,32	13,56	17,5	10,5	10,2	17,5	4	0,008	
	<b>16 3M 09</b>	<b>03M0916</b>	6F	FL504	16	15,28	14,52	17,5	10,0	12,8	20,6	4	0,007	
	<b>18 3M 09</b>	<b>03M0918</b>	6F	FL505	18	17,19	16,43	20,0	10,6	12,8	20,6	6	0,008	
	<b>20 3M 09</b>	<b>03M0920</b>	6F	FL517	20	19,10	18,34	23,0	12,4	12,8	20,6	6	0,010	
	<b>21 3M 09</b>	<b>03M0921</b>	6F	FL518	21	20,05	19,29	25,0	13,0	12,8	20,6	6	0,013	
	<b>22 3M 09</b>	<b>03M0922</b>	6F	FL518	22	21,01	20,25	25,0	13,0	12,8	20,6	6	0,014	
	<b>24 3M 09</b>	<b>03M0924</b>	6F	FL518	24	22,92	22,16	25,0	13,0	12,8	20,6	6	0,016	
	<b>26 3M 09</b>	<b>03M0926</b>	6F	FL508	26	24,83	24,07	28,0	16,0	12,8	20,6	6	0,018	
	<b>28 3M 09</b>	<b>03M0928</b>	6F	FL509	28	26,74	25,98	32,0	18,0	12,8	20,6	6	0,024	
	<b>30 3M 09</b>	<b>03M0930</b>	6F	FL509	30	28,65	27,89	32,0	20,0	12,8	20,6	6	0,028	
	<b>32 3M 09</b>	<b>03M0932</b>	6F	FL510	32	30,56	29,80	36,0	22,0	12,8	20,6	6	0,032	
	<b>36 3M 09</b>	<b>03M0936</b>	6F	FL519	36	34,38	33,62	39,0	26,0	13,4	22,2	6	0,045	
	<b>40 3M 09</b>	<b>03M0940</b>	6F	FL513	40	38,20	37,44	42,0	28,0	13,4	22,2	6	0,055	
	<b>44 3M 09</b>	<b>03M0944</b>	6F	FL520	44	42,02	41,26	48,0	33,0	13,4	22,2	6	0,074	
	senza flangia / without flanges / ohne Flanschen sans flasques / sin tapetas	<b>48 3M 09</b>	<b>03M0948</b>	6	-	48	45,84	45,08	-	33,0	13,4	22,2	8	0,074
		<b>60 3M 09</b>	<b>03M0960</b>	6	-	60	57,30	56,54	-	33,0	13,4	22,2	8	0,106
<b>72 3M 09</b>		<b>03M0972</b>	6	-	72	68,75	67,99	-	33,0	13,4	22,2	8	0,145	

**HTD® 3M-15**

Caratteristiche Features Merkmale Características Características	Codice Code symbol Bezeichnung Code symbole Numero de fabrica	Nostro codice Our code Unser Code Notre code Nuestro código	Tipo Type Typ Type Tipo	Codice flangia Flange code Bordscheiben Typ Code flasque Código brida	N. denti N. of teeth Zähnezahl N. bre de dents Cantidad de dientes	Dp	De	Df	Dm	F	L	Foro stock Stock bore Vor bohrung Alesage en stock Agujero de stock	Peso Weight / Gewicht Poids / Peso Kg	
Alluminio / Aluminium / Aluminium / Aluminium / Aluminium 6082 T6 UNI 9006/4	<b>10 3M 15</b>	<b>03M1510</b>	1F	FL501	10	9,55	8,79	13,0	6,0	17,0	26,0	4	0,006	
	<b>12 3M 15</b>	<b>03M1512</b>	1F	FL502	12	11,46	10,70	15,0	8,0	17,0	26,0	4	0,008	
	<b>14 3M 15</b>	<b>03M1514</b>	1F	FL503	14	13,37	12,61	16,0	9,5	17,0	26,0	4	0,010	
	<b>15 3M 15</b>	<b>03M1515</b>	1F	FL516	15	14,32	13,56	17,5	10,5	17,0	26,0	4	0,012	
	<b>16 3M 15</b>	<b>03M1516</b>	6F	FL504	16	15,28	14,52	17,5	10,0	19,5	26,0	4	0,010	
	<b>18 3M 15</b>	<b>03M1518</b>	6F	FL505	18	17,19	16,43	20,0	10,6	19,5	26,0	6	0,012	
	<b>20 3M 15</b>	<b>03M1520</b>	6F	FL517	20	19,10	18,34	23,0	12,4	19,5	26,0	6	0,014	
	<b>21 3M 15</b>	<b>03M1521</b>	6F	FL518	21	20,05	19,29	25,0	13,0	19,5	26,0	6	0,016	
	<b>22 3M 15</b>	<b>03M1522</b>	6F	FL518	22	21,01	20,25	25,0	13,0	19,5	26,0	6	0,018	
	<b>24 3M 15</b>	<b>03M1524</b>	6F	FL518	24	22,92	22,16	25,0	13,0	19,5	26,0	6	0,020	
	<b>26 3M 15</b>	<b>03M1526</b>	6F	FL508	26	24,83	24,07	28,0	16,0	19,5	26,0	6	0,027	
	<b>28 3M 15</b>	<b>03M1528</b>	6F	FL509	28	26,74	25,98	32,0	18,0	19,5	26,0	6	0,030	
	<b>30 3M 15</b>	<b>03M1530</b>	6F	FL509	30	28,65	27,89	32,0	20,0	19,5	26,0	6	0,035	
	<b>32 3M 15</b>	<b>03M1532</b>	6F	FL510	32	30,56	29,80	36,0	22,0	19,5	26,0	6	0,042	
	<b>36 3M 15</b>	<b>03M1536</b>	6F	FL519	36	34,38	33,62	39,0	26,0	20,0	30,0	6	0,060	
	<b>40 3M 15</b>	<b>03M1540</b>	6F	FL513	40	38,20	37,44	42,0	28,0	20,0	30,0	6	0,075	
	<b>44 3M 15</b>	<b>03M1544</b>	6F	FL520	44	42,02	41,26	48,0	33,0	20,0	30,0	6	0,095	
	senza flangia / without flanges / ohne Flanschen sans flasques / sin tapetas	<b>48 3M 15</b>	<b>03M1548</b>	6	-	48	45,84	45,08	-	33,0	20,0	30,0	8	0,103
		<b>60 3M 15</b>	<b>03M1560</b>	6	-	60	57,30	56,54	-	33,0	20,0	30,0	8	0,150
<b>72 3M 15</b>		<b>03M1572</b>	6	-	72	68,75	67,99	-	33,0	20,0	30,0	8	0,212	



Tipo / Type  
6F



Tipo / Type  
6W

## HTD® 5M-09

Caratteristiche Features Merkmale Caracteristiques Características	Codice Code symbol Bezeichnung Code symbole Numero de fabrica	Nostro codice Our code Unser Code Notre code Nuestro codigo	Tipo Type Typ Type Tipo	Codice flangia Flange code Bordscheiben Typ Code flasque Código brida	N. denti N. of teeth Zähnezahl N. bre de dents Cantidad de dientes	Dp	De	Df	Dm	Di	F	L	Foro stock Stock bore Vor bohrung Alesage en stock Agujero de stock	Peso Weight / Gewicht Poids / Peso Kg
Acciaio / Steel / Stahl Acier / Acero  con flangia / with flanges mit Flanges / avec flasques con tapetas	<b>12 5M 09</b>	<b>05M0912</b>	6F	FL014	12	19,10	17,96	23,0	12,0	-	14,5	20,0	4	0,028
	<b>14 5M 09</b>	<b>05M0914</b>	6F	FL002	14	22,28	21,14	25,0	13,0	-	14,5	20,0	6	0,034
	<b>15 5M 09</b>	<b>05M0915</b>	6F	FL004	15	23,87	22,73	28,0	16,0	-	14,5	20,0	6	0,042
	<b>16 5M 09</b>	<b>05M0916</b>	6F	FL004	16	25,46	24,32	28,0	16,5	-	14,5	20,0	6	0,050
	<b>18 5M 09</b>	<b>05M0918</b>	6F	FL006	18	28,65	27,51	32,0	20,0	-	14,5	20,0	6	0,070
	<b>20 5M 09</b>	<b>05M0920</b>	6F	FL008	20	31,83	30,69	36,0	23,0	-	14,5	22,5	6	0,094
	<b>21 5M 09</b>	<b>05M0921</b>	6F	FL009	21	33,42	32,28	38,0	24,0	-	14,5	22,5	6	0,110
	<b>22 5M 09</b>	<b>05M0922</b>	6F	FL015	22	35,01	33,87	39,0	25,5	-	14,5	22,5	6	0,118
	<b>24 5M 09</b>	<b>05M0924</b>	6F	FL013	24	38,20	37,06	42,0	27,0	-	14,5	22,5	6	0,145
	<b>26 5M 09</b>	<b>05M0926</b>	6F	FL012	26	41,38	40,24	44,0	30,0	-	14,5	22,5	6	0,170
	<b>28 5M 09</b>	<b>05M0928</b>	6F	FL011	28	44,56	43,42	48,0	30,5	-	14,5	22,5	6	0,200
	<b>30 5M 09</b>	<b>05M0930</b>	6F	FL016	30	47,75	46,60	51,0	35,0	-	14,5	22,5	6	0,236
<b>32 5M 09</b>	<b>05M0932</b>	6F	FL018	32	50,93	49,79	54,0	38,0	-	14,5	22,5	8	0,210	
<b>36 5M 09</b>	<b>05M0936</b>	6F	FL021	36	57,30	56,16	60,0	38,0	-	14,5	22,5	8	0,324	
<b>40 5M 09</b>	<b>05M0940</b>	6F	FL025	40	63,66	62,52	71,0	38,0	-	14,5	22,5	8	0,400	
Alluminio / Aluminium Aluminium / Aluminium Aluminio  senza flangia / without flanges / ohne Flanschen sans flasques / sin tapetas	<b>44 5M 09</b>	<b>05M0944</b>	6W	-	44	70,03	68,89	-	38,0	54	14,5	25,5	8	0,170
	<b>48 5M 09</b>	<b>05M0948</b>	6W	-	48	76,39	75,25	-	45,0	61	14,5	25,5	8	0,182
	<b>60 5M 09</b>	<b>05M0960</b>	6W	-	60	95,46	94,35	-	45,0	80	14,5	25,5	8	0,230
	<b>72 5M 09</b>	<b>05M0972</b>	6W	-	72	114,59	113,45	-	45,0	100	14,5	25,5	8	0,270

**Pulegge dentate per cinghie HTD® / Timing belt pulleys HTD®**  
**HTD® Zahnriemenscheiben / Poulies dentées HTD®**  
**Poleas para correas dentadas HTD®**

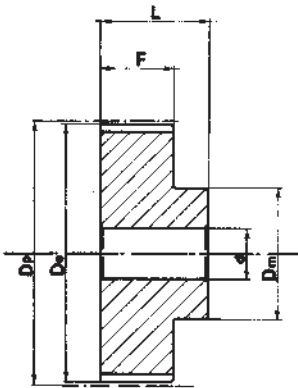


**HTD® 5M-15**

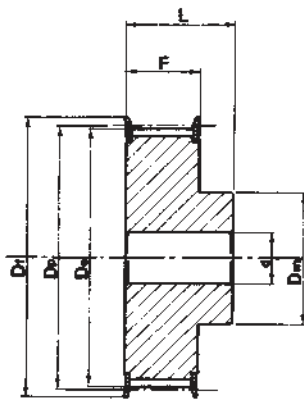
Caratteristiche Features Merkmale Características	Codice Code symbol Bezeichnung Code symbole Numero de fabrica	Nostro codice Our code Unser Code Notre code Nuestro codigo	Tipo Type Typ Type Tipo	Codice flangia Flange code Bordscheiben Typ Code flasque Código brida	N. denti N. of teeth Zähnezahl N. bre de dents Cantidad de dientes	Dp	De	Df	Dm	Di	F	L	Foro stock Stock bore Vor bohrung Alesage en stock Agujero de stock	Peso Weight / Gewicht Poids / Peso Kg
Acciaio / Steel / Stahl Acier / Acero  con flangia / with flanges mit Flanges / avec flasques con tapetas	<b>12 5M 15</b>	<b>05M1512</b>	6F	FL014	12	19,10	17,96	23,0	12,0	-	20,5	26,0	4	0,034
	<b>14 5M 15</b>	<b>05M1514</b>	6F	FL002	14	22,28	21,14	25,0	13,0	-	20,5	26,0	6	0,046
	<b>15 5M 15</b>	<b>05M1515</b>	6F	FL004	15	23,87	22,73	28,0	16,0	-	20,5	26,0	6	0,056
	<b>16 5M 15</b>	<b>05M1516</b>	6F	FL004	16	25,46	24,32	28,0	16,5	-	20,5	26,0	6	0,064
	<b>18 5M 15</b>	<b>05M1518</b>	6F	FL006	18	28,65	27,51	32,0	20,0	-	20,5	26,0	6	0,086
	<b>20 5M 15</b>	<b>05M1520</b>	6F	FL008	20	31,83	30,69	36,0	23,0	-	20,5	26,0	6	0,112
	<b>21 5M 15</b>	<b>05M1521</b>	6F	FL009	21	33,42	32,28	38,0	24,0	-	20,5	26,0	6	0,130
	<b>22 5M 15</b>	<b>05M1522</b>	6F	FL015	22	35,01	33,87	39,0	25,5	-	20,5	26,0	6	0,140
	<b>24 5M 15</b>	<b>05M1524</b>	6F	FL013	24	38,20	37,06	42,0	27,0	-	20,5	28,0	6	0,180
	<b>26 5M 15</b>	<b>05M1526</b>	6F	FL012	26	41,38	40,24	44,0	30,0	-	20,5	28,0	6	0,220
	<b>28 5M 15</b>	<b>05M1528</b>	6F	FL011	28	44,56	43,42	48,0	30,5	-	20,5	28,0	6	0,250
	<b>30 5M 15</b>	<b>05M1530</b>	6F	FL016	30	47,75	46,60	51,0	35,0	-	20,5	28,0	6	0,300
	<b>32 5M 15</b>	<b>05M1532</b>	6F	FL018	32	50,93	49,79	54,0	38,0	-	20,5	28,0	8	0,350
	<b>36 5M 15</b>	<b>05M1536</b>	6F	FL021	36	57,30	56,16	60,0	38,0	-	20,5	28,0	8	0,426
<b>40 5M 15</b>	<b>05M1540</b>	6F	FL025	40	63,66	62,52	71,0	38,0	-	20,5	28,0	8	0,520	
Alluminio / Aluminium Aluminium / Aluminium Aluminio  senza flangia / without flanges / ohne Flanschen sans flasques / sin tapetas	<b>44 5M 15</b>	<b>05M1544</b>	6W	-	44	70,03	68,89	-	38,0	54	20,5	30,0	8	0,225
	<b>48 5M 15</b>	<b>05M1548</b>	6W	-	48	76,39	75,25	-	45,0	61	20,5	30,0	8	0,187
	<b>60 5M 15</b>	<b>05M1560</b>	6W	-	60	95,46	94,35	-	45,0	80	20,5	30,0	8	0,305
	<b>72 5M 15</b>	<b>05M1572</b>	6W	-	72	114,59	113,45	-	45,0	100	20,5	30,0	8	0,305

**HTD® 5M-25**

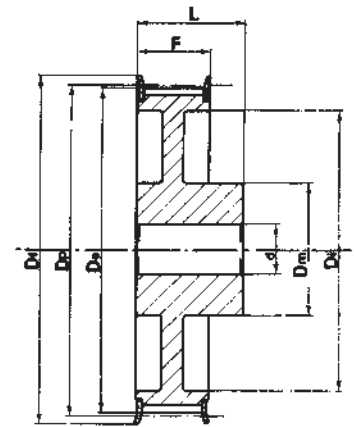
Caratteristiche Features Merkmale Características	Codice Code symbol Bezeichnung Code symbole Numero de fabrica	Nostro codice Our code Unser Code Notre code Nuestro codigo	Tipo Type Typ Type Tipo	Codice flangia Flange code Bordscheiben Typ Code flasque Código brida	N. denti N. of teeth Zähnezahl N. bre de dents Cantidad de dientes	Dp	De	Df	Dm	Di	F	L	Foro stock Stock bore Vor bohrung Alesage en stock Agujero de stock	Peso Weight / Gewicht Poids / Peso Kg
Acciaio / Steel / Stahl Acier / Acero  con flangia / with flanges mit Flanges / avec flasques con tapetas	<b>12 5M 25</b>	<b>05M2512</b>	6F	FL014	12	19,10	17,96	23,0	12,0	-	30,5	36,0	4	0,050
	<b>14 5M 25</b>	<b>05M2514</b>	6F	FL002	14	22,28	21,14	25,0	13,0	-	30,5	36,0	6	0,070
	<b>15 5M 25</b>	<b>05M2515</b>	6F	FL004	15	23,87	22,73	28,0	16,0	-	30,5	36,0	6	0,080
	<b>16 5M 25</b>	<b>05M2516</b>	6F	FL004	16	25,46	24,32	28,0	16,5	-	30,5	36,0	6	0,100
	<b>18 5M 25</b>	<b>05M2518</b>	6F	FL006	18	28,65	27,51	32,0	20,0	-	30,5	36,0	6	0,120
	<b>20 5M 25</b>	<b>05M2520</b>	6F	FL008	20	31,83	30,69	36,0	23,0	-	30,5	36,0	6	0,160
	<b>21 5M 25</b>	<b>05M2521</b>	6F	FL009	21	33,42	32,28	38,0	24,0	-	30,5	38,5	6	0,190
	<b>22 5M 25</b>	<b>05M2522</b>	6F	FL015	22	35,01	33,87	39,0	25,5	-	30,5	38,5	6	0,210
	<b>24 5M 25</b>	<b>05M2524</b>	6F	FL013	24	38,20	37,06	42,0	27,0	-	30,5	38,5	6	0,250
	<b>26 5M 25</b>	<b>05M2526</b>	6F	FL012	26	41,38	40,24	44,0	30,0	-	30,5	38,5	6	0,300
	<b>28 5M 25</b>	<b>05M2528</b>	6F	FL011	28	44,56	43,42	48,0	30,5	-	30,5	38,5	6	0,350
	<b>30 5M 25</b>	<b>05M2530</b>	6F	FL016	30	47,75	46,60	51,0	35,0	-	30,5	38,5	6	0,420
	<b>32 5M 25</b>	<b>05M2532</b>	6F	FL018	32	50,93	49,79	54,0	38,0	-	30,5	38,5	8	0,480
	<b>36 5M 25</b>	<b>05M2536</b>	6F	FL021	36	57,30	56,16	60,0	38,0	-	30,5	38,5	8	0,590
<b>40 5M 25</b>	<b>05M2540</b>	6F	FL025	40	63,66	62,52	71,0	38,0	-	30,5	38,5	8	0,740	
Alluminio / Aluminium Aluminium / Aluminium Aluminio  senza flangia / without flanges / ohne Flanschen sans flasques / sin tapetas	<b>44 5M 25</b>	<b>05M2544</b>	6W	-	44	70,03	68,89	-	38,0	54	30,5	40,5	8	0,320
	<b>48 5M 25</b>	<b>05M2548</b>	6W	-	48	76,39	75,25	-	45,0	61	30,5	40,5	8	0,275
	<b>60 5M 25</b>	<b>05M2560</b>	6W	-	60	95,46	94,35	-	45,0	80	30,5	40,5	8	0,435
	<b>72 5M 25</b>	<b>05M2572</b>	6W	-	72	114,59	113,45	-	45,0	100	30,5	40,5	8	0,525



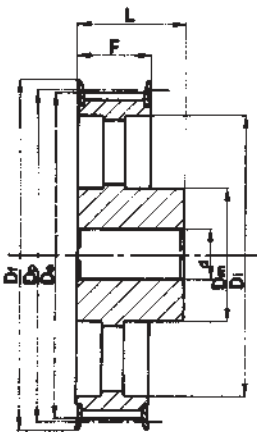
Tipo / Type  
6



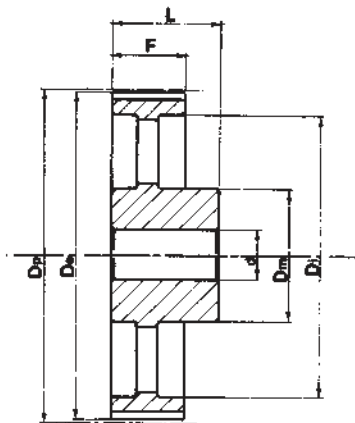
Tipo / Type  
6F



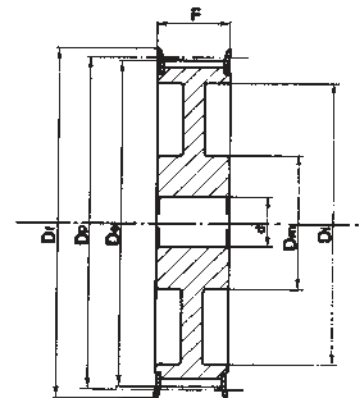
Tipo / Type  
6WF



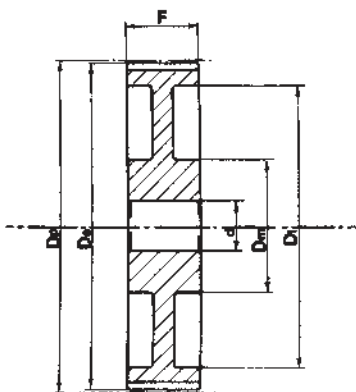
Tipo / Type  
6AF



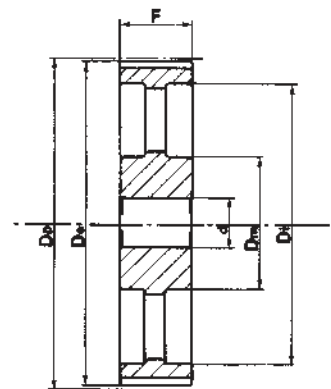
Tipo / Type  
6A



Tipo / Type  
10WF



Tipo / Type  
10W



Tipo / Type  
10A

## HTD® 8M-20

Caratteristiche Features Merkmale Características Características	Codice Code symbol Bezeichnung Code symbole Numero de fabrica	Nostro codice Our code Unser Code Notre code Nuestro codigo	Tipo Type Typ Type Tipo	Codice flangia Flange code Bordscheiben Typ Code flasque Código brida	N. denti N. of teeth Zähnezahl N. bre de dents Cantidad de dientes	Dp	De	Df	Dm	Di	F	L	d	Peso Weight / Gewicht Poids / Peso Kg
Acciaio / Steel / Stahl Acier / Acero	22 8M 20	08M2022	6F	FL053	22	56,02	54,65	60,0	43,0	-	28	38	12	0,54
	24 8M 20	08M2024	6F	FL069	24	61,12	59,75	66,0	45,0	-	28	38	12	0,65
	26 8M 20	08M2026	6F	FL061	26	66,21	64,84	70,0	48,0	-	28	38	12	0,80
	28 8M 20	08M2028	6F	FL079	28	71,30	69,93	75,0	50,0	-	28	38	15	0,87
	30 8M 20	08M2030	6F	FL073	30	76,39	75,02	83,0	55,0	-	28	38	15	1,02
	32 8M 20	08M2032	6F	FL076	32	81,49	80,16	87,0	60,0	-	28	38	15	1,20
	34 8M 20	08M2034	6F	FL066	34	86,58	85,22	91,0	70,0	-	28	38	15	1,40
	36 8M 20	08M2036	6F	FL068	36	91,67	90,30	97,0	75,0	-	28	38	15	1,55
	38 8M 20	08M2038	6F	FL070	38	96,77	95,39	102,0	75,0	-	28	38	15	1,65
	40 8M 20	08M2040	6F	FL077	40	101,86	100,49	106,0	75,0	-	28	38	15	1,74
	44 8M 20	08M2044	6F	FL075	44	112,05	110,67	120,0	75,0	-	28	38	15	2,10
	48 8M 20	08M2048	6F	FL078	48	122,23	120,86	128,0	75,0	-	28	38	15	2,44
	56 8M 20	08M2056	6WF	FL085	56	142,60	141,23	150,0	80,0	116	28	38	15	2,60
	64 8M 20	08M2064	6WF	FL090	64	162,97	161,60	168,0	80,0	137	28	38	15	2,90
72 8M 20	08M2072	6WF	FL097	72	183,35	181,97	192,0	80,0	158	28	38	15	3,10	
Ghisa / Cast iron Grauguss / Fonte Hierro fundido	80 8M 20	08M2080	6W	-	80	203,72	202,35	-	90,0	180	28	38	15	3,80
	90 8M 20	08M2090	6A	-	90	229,18	227,81	-	90,0	204	28	38	15	4,20
	112 8M 20	08M2011	6A	-	112	285,21	283,83	-	90,0	254	28	38	18	5,20
	144 8M 20	08M2014	6A	-	144	366,69	365,32	-	90,0	336	28	38	20	7,50
	168 8M 20	08M2016	6A	-	168	427,81	426,44	-	100,0	400	28	38	20	10,00
	192 8M 20	08M2019	6A	-	192	488,92	487,55	-	100,0	460	28	38	20	14,40

## HTD® 8M 30

Caratteristiche Features Merkmale Características Características	Codice Code symbol Bezeichnung Code symbole Numero de fabrica	Nostro codice Our code Unser Code Notre code Nuestro codigo	Tipo Type Typ Type Tipo	Codice flangia Flange code Bordscheiben Typ Code flasque Código brida	N. denti N. of teeth Zähnezahl N. bre de dents Cantidad de dientes	Dp	De	Df	Dm	Di	F	L	d	Peso Weight / Gewicht Poids / Peso Kg
Acciaio / Steel / Stahl Acier / Acero	22 8M 30	08M3022	6F	FL053	22	56,02	54,65	60,0	43,0	-	38	48	12	0,69
	24 8M 30	08M3024	6F	FL069	24	61,12	59,75	66,0	45,0	-	38	48	12	0,84
	26 8M 30	08M3026	6F	FL061	26	66,21	64,84	70,0	48,0	-	38	48	12	1,00
	28 8M 30	08M3028	6F	FL079	28	71,30	69,93	75,0	50,0	-	38	48	15	1,12
	30 8M 30	08M3030	6F	FL073	30	76,39	75,02	83,0	55,0	-	38	48	15	1,32
	32 8M 30	08M3032	6F	FL076	32	81,49	80,16	87,0	60,0	-	38	48	15	1,53
	34 8M 30	08M3034	6F	FL066	34	86,58	85,22	91,0	70,0	-	38	48	15	1,80
	36 8M 30	08M3036	6F	FL068	36	91,67	90,30	97,0	75,0	-	38	48	15	1,99
	38 8M 30	08M3038	6F	FL070	38	96,77	95,39	102,0	75,0	-	38	48	15	2,27
	40 8M 30	08M3040	6F	FL077	40	101,86	100,49	106,0	75,0	-	38	48	15	2,40
	44 8M 30	08M3044	6F	FL075	44	112,05	110,67	120,0	75,0	-	38	48	15	2,80
	48 8M 30	08M3048	6F	FL078	48	122,23	120,86	128,0	75,0	-	38	48	15	3,20
	56 8M 30	08M3056	6WF	FL085	56	142,60	141,23	150,0	90,0	116	38	48	15	3,60
	64 8M 30	08M3064	6WF	FL090	64	162,97	161,60	168,0	90,0	137	38	48	15	4,30
72 8M 30	08M3072	6WF	FL097	72	183,35	181,97	192,0	95,0	158	38	48	15	4,80	
Ghisa / Cast iron Grauguss / Fonte Hierro fundido	80 8M 30	08M3080	6W	-	80	203,72	202,35	-	100,0	180	38	48	15	5,10
	90 8M 30	08M3090	6A	-	90	229,18	227,81	-	100,0	204	38	48	15	5,70
	112 8M 30	08M3011	6A	-	112	285,21	283,83	-	100,0	254	38	48	18	6,80
	144 8M 30	08M3014	6A	-	144	366,69	365,32	-	100,0	336	38	48	20	9,30
	168 8M 30	08M3016	6A	-	168	427,81	426,44	-	100,0	400	38	48	20	11,40
	192 8M 30	08M3019	6A	-	192	488,92	487,55	-	100,0	460	38	48	20	16,00

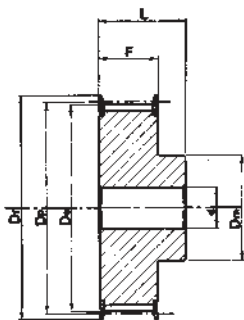
### HTD® 8M-50

Caratteristiche Features Merkmale Características	Codice Code symbol Bezeichnung Code symbole Numero de fabrica	Nostro codice Our code Unser Code Notre code Nuestro codigo	Tipo Type Typ Type Tipo	Codice flangia Flange code Bordscheiben Typ Code flasque Código brida	N. denti N. of teeth Zähnezahl N. bre de dents Cantidad de dientes	Dp	De	Df	Dm	Di	F	L	d	Peso Weight / Gewicht Poids / Peso Kg
Acciaio / Steel / Stahl Acier / Acero	<b>22 8M 50</b>	<b>08M5022</b>	6F	FL053	22	56,02	54,65	60,0	43,0	-	60	70	12	1,00
	<b>24 8M 50</b>	<b>08M5024</b>	6F	FL069	24	61,12	59,75	66,0	45,0	-	60	70	12	1,23
	<b>26 8M 50</b>	<b>08M5026</b>	6F	FL061	26	66,21	64,84	70,0	48,0	-	60	70	15	1,50
	<b>28 8M 50</b>	<b>08M5028</b>	6F	FL079	28	71,30	69,93	75,0	50,0	-	60	70	15	1,67
	<b>30 8M 50</b>	<b>08M5030</b>	6F	FL073	30	76,39	75,02	83,0	55,0	-	60	70	15	1,97
	<b>32 8M 50</b>	<b>08M5032</b>	6F	FL076	32	81,49	80,16	87,0	60,0	-	60	70	15	2,27
	<b>34 8M 50</b>	<b>08M5034</b>	6F	FL066	34	86,58	85,22	91,0	70,0	-	60	70	15	2,69
	<b>36 8M 50</b>	<b>08M5036</b>	6F	FL068	36	91,67	90,30	97,0	75,0	-	60	70	15	2,97
	<b>38 8M 50</b>	<b>08M5038</b>	6F	FL070	38	96,77	95,39	102,0	75,0	-	60	70	15	3,23
	<b>40 8M 50</b>	<b>08M5040</b>	6F	FL077	40	101,86	100,49	106,0	75,0	-	60	70	18	3,50
	<b>44 8M 50</b>	<b>08M5044</b>	6F	FL075	44	112,05	110,67	120,0	75,0	-	60	70	18	3,90
	<b>48 8M 50</b>	<b>08M5048</b>	6F	FL078	48	122,23	120,86	128,0	75,0	-	60	70	18	4,30
	<b>56 8M 50</b>	<b>08M5056</b>	10WF	FL085	56	142,60	141,23	150,0	80,0	116	60	60	18	5,00
	<b>64 8M 50</b>	<b>08M5064</b>	10WF	FL090	64	162,97	161,60	168,0	80,0	137	60	60	18	5,60
<b>72 8M 50</b>	<b>08M5072</b>	10WF	FL097	72	183,35	181,97	192,0	80,0	158	60	60	18	6,80	
Ghisa / Cast iron Grauguss / Fonte Hierro fundido	<b>80 8M 50</b>	<b>08M5080</b>	10W	-	80	203,72	202,35	-	110,0	180	60	60	18	6,90
	<b>90 8M 50</b>	<b>08M5090</b>	10A	-	90	229,18	227,81	-	110,0	204	60	60	18	8,60
	<b>112 8M 50</b>	<b>08M5011</b>	10A	-	112	285,21	283,83	-	110,0	254	60	60	18	9,60
	<b>144 8M 50</b>	<b>08M5014</b>	10A	-	144	366,69	365,32	-	110,0	336	60	60	20	13,80
	<b>168 8M 50</b>	<b>08M5016</b>	10A	-	168	427,81	426,44	-	120,0	400	60	60	20	16,00
	<b>192 8M 50</b>	<b>08M5019</b>	10A	-	192	488,92	487,55	-	130,0	460	60	60	20	22,40

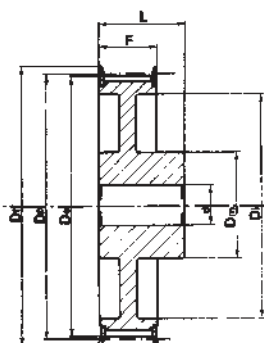
### HTD® 8M-85

Caratteristiche Features Merkmale Características	Codice Code symbol Bezeichnung Code symbole Numero de fabrica	Nostro codice Our code Unser Code Notre code Nuestro codigo	Tipo Type Typ Type Tipo	Codice flangia Flange code Bordscheiben Typ Code flasque Código brida	N. denti N. of teeth Zähnezahl N. bre de dents Cantidad de dientes	Dp	De	Df	Dm	Di	F	L	d	Peso Weight / Gewicht Poids / Peso Kg
Acciaio / Steel / Stahl Acier / Acero	<b>22 8M 85</b>	<b>08M8522</b>	6F	FL053	22	56,02	54,65	60,0	43,0	-	95	105	12	1,55
	<b>24 8M 85</b>	<b>08M8524</b>	6F	FL069	24	61,12	59,75	66,0	45,0	-	95	105	12	1,90
	<b>26 8M 85</b>	<b>08M8526</b>	6F	FL061	26	66,21	64,84	70,0	48,0	-	95	105	12	2,25
	<b>28 8M 85</b>	<b>08M8528</b>	6F	FL079	28	71,30	69,93	75,0	50,0	-	95	105	15	2,55
	<b>30 8M 85</b>	<b>08M8530</b>	6F	FL073	30	76,39	75,02	83,0	55,0	-	95	105	15	3,00
	<b>32 8M 85</b>	<b>08M8532</b>	6F	FL076	32	81,49	80,16	87,0	60,0	-	95	105	15	3,57
	<b>34 8M 85</b>	<b>08M8534</b>	6F	FL066	34	86,58	85,22	91,0	66,0	-	95	105	15	4,00
	<b>36 8M 85</b>	<b>08M8536</b>	6F	FL068	36	91,67	90,30	97,0	70,0	-	95	105	15	4,50
	<b>38 8M 85</b>	<b>08M8538</b>	6F	FL070	38	96,77	95,39	102,0	75,0	-	95	105	15	5,00
	<b>40 8M 85</b>	<b>08M8540</b>	6F	FL077	40	101,86	100,49	106,0	75,0	-	95	105	18	5,20
	<b>44 8M 85</b>	<b>08M8544</b>	6F	FL075	44	112,05	110,67	120,0	75,0	-	95	105	18	6,60
	<b>48 8M 85</b>	<b>08M8548</b>	6F	FL078	48	122,23	120,86	128,0	80,0	-	95	105	18	7,00
	<b>56 8M 85</b>	<b>08M8556</b>	6F	FL085	56	142,60	141,23	150,0	90,0	-	95	105	18	10,00
	<b>64 8M 85</b>	<b>08M8564</b>	10WF	FL090	64	162,97	161,60	168,0	100,0	137	95	95	20	10,40
<b>72 8M 85</b>	<b>08M8572</b>	10WF	FL097	72	183,35	181,97	192,0	100,0	158	95	95	20	11,40	
Ghisa / Cast iron Grauguss / Fonte Hierro fundido	<b>80 8M 85</b>	<b>08M8580</b>	10W	-	80	203,72	202,35	-	110,0	180	95	95	20	11,10
	<b>90 8M 85</b>	<b>08M8590</b>	10A	-	90	229,18	227,81	-	110,0	204	95	95	20	12,20
	<b>112 8M 85</b>	<b>08M8511</b>	10A	-	112	285,21	283,83	-	110,0	254	95	95	24	15,00
	<b>144 8M 85</b>	<b>08M8514</b>	10A	-	144	366,69	365,32	-	110,0	336	95	95	24	21,50
	<b>168 8M 85</b>	<b>08M8516</b>	10A	-	168	427,81	426,44	-	120,0	400	95	95	24	24,10
	<b>192 8M 85</b>	<b>08M8519</b>	10A	-	192	488,92	487,55	-	130,0	460	95	95	24	30,60

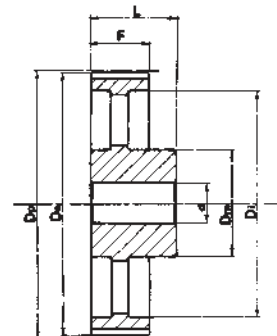




Tipo / Type  
6F



Tipo / Type  
6WF



Tipo / Type  
6A

## HTD® 14M-40

Caratteristiche Features Merkmale Características Características	Codice Code symbol Bezeichnung Code symbole Numero de fabrica	Nostro codice Our code Unser Code Notre code Nuestro codigo	Tipo Type Typ Type Tipo	Codice flangia Flange code Bordscheiben Typ Code flasque Código brida	N. denti N. of teeth Zähnezahl N. bre de dents Cantidad de dientes	Dp	De	Df	Dm	Di	F	L	d	Peso Weight / Gewicht Poids / Peso Kg
Acciaio / Steel / Stahl Acier / Acero	28 14M 40	14M4028	6F	FL153	28	124,78	122,12	128,0	100,0	-	54	69	24	4,73
	29 14M 40	14M4029	6F	FL154	29	129,23	126,57	138,0	100,0	-	54	69	24	5,09
	30 14M 40	14M4030	6F	FL154	30	133,69	130,99	138,0	100,0	-	54	69	24	5,45
	32 14M 40	14M4032	6F	FL160	32	142,60	139,88	154,0	100,0	-	54	69	24	6,17
	34 14M 40	14M4034	6F	FL166	34	151,52	148,79	160,0	100,0	-	54	69	24	6,88
	36 14M 40	14M4036	6F	FL168	36	160,43	157,68	168,0	100,0	-	54	69	24	7,60
	38 14M 40	14M4038	6F	FL172	38	169,34	166,60	183,0	120,0	-	54	69	24	8,28
	40 14M 40	14M4040	6F	FL162	40	178,25	175,49	188,0	120,0	-	54	69	24	9,26
	44 14M 40	14M4044	6F	FL175	44	196,08	193,28	211,0	120,0	-	54	69	24	10,32
Ghisa / Cast iron Grauguss / Fonte Hierro fundido	48 14M 40	14M4048	6WF	FL180	48	213,90	211,11	226,0	135,0	170	54	69	24	11,50
	56 14M 40	14M4056	6WF	FL182	56	249,55	246,76	256,0	135,0	207	54	69	28	13,05
	64 14M 40	14M4064	6WF	FL184	64	285,21	282,41	296,0	135,0	240	54	69	28	14,40
	72 14M 40	14M4072	6A	-	72	320,86	318,06	-	135,0	280	54	69	28	16,90
	80 14M 40	14M4080	6A	-	80	356,51	353,71	-	135,0	314	54	69	28	18,50
	90 14M 40	14M4090	6A	-	90	401,07	398,28	-	135,0	358	54	69	28	20,00
	112 14M 40	14M4011	6A	-	112	499,11	496,32	-	135,0	456	54	69	28	26,70
	144 14M 40	14M4014	6A	-	144	641,71	638,92	-	135,0	600	54	69	28	35,00
	168 14M 40	14M4016	6A	-	168	748,66	745,87	-	135,0	706	54	69	28	44,20
192 14M 40	14M4019	6A	-	192	855,62	852,82	-	135,0	813	54	69	28	52,20	
216 14M 40	14M4021	6A	-	216	962,57	959,76	-	150,0	920	54	69	28	62,50	

### HTD® 14M-55

Caratteristiche Features Merkmale Características Características	Codice Code symbol Bezeichnung Code symbole Numero de fabrica	Nostro codice Our code Unser Code Notre code Nuestro codigo	Tipo Type Typ Type Tipo	Codice flangia Flange code Bordscheiben Typ Code flasque Código brida	N. denti N. of teeth Zähnezahl N. bre de dents Cantidad de dientes	Dp	De	Df	Dm	Di	F	L	d	Peso Weight / Gewicht Poids / Peso Kg	
Acciaio / Steel / Stahl Acier / Acero	con flangia / with flanges mit Flanges / avec flasques con tapetas	<b>28 14M 55</b>	<b>14M5528</b>	6F	FL153	28	124,78	122,12	128,0	100,0	-	70	85	24	5,60
		<b>29 14M 55</b>	<b>14M5529</b>	6F	FL154	29	129,23	126,57	138,0	100,0	-	70	85	24	6,10
		<b>30 14M 55</b>	<b>14M5530</b>	6F	FL154	30	133,69	130,99	138,0	100,0	-	70	85	24	6,60
		<b>32 14M 55</b>	<b>14M5532</b>	6F	FL160	32	142,60	139,88	154,0	100,0	-	70	85	24	7,60
		<b>34 14M 55</b>	<b>14M5534</b>	6F	FL166	34	151,52	148,79	160,0	100,0	-	70	85	24	8,60
		<b>36 14M 55</b>	<b>14M5536</b>	6F	FL168	36	160,43	157,68	168,0	100,0	-	70	85	24	9,60
		<b>38 14M 55</b>	<b>14M5538</b>	6F	FL172	38	169,34	166,60	183,0	120,0	-	70	85	24	10,80
		<b>40 14M 55</b>	<b>14M5540</b>	6F	FL162	40	178,25	175,49	188,0	120,0	-	70	85	24	11,20
		<b>44 14M 55</b>	<b>14M5544</b>	6F	FL175	44	196,08	193,28	211,0	120,0	-	70	85	24	12,50
Ghisa / Cast iron Grauguss / Fonte Hierro fundido	senza flangia / without flanges / ohne Flanschen sans flasques / sin tapetas	<b>48 14M 55</b>	<b>14M5548</b>	10WF	FL180	48	213,90	211,11	226,0	135,0	170	70	70	24	13,70
		<b>56 14M 55</b>	<b>14M5556</b>	10WF	FL182	56	249,55	246,76	256,0	135,0	207	70	70	28	14,50
		<b>64 14M 55</b>	<b>14M5564</b>	10WF	FL184	64	285,21	282,41	296,0	135,0	240	70	70	28	15,60
		<b>72 14M 55</b>	<b>14M5572</b>	10A	-	72	320,86	318,06	-	135,0	280	70	70	28	16,90
		<b>80 14M 55</b>	<b>14M5580</b>	10A	-	80	356,51	353,71	-	135,0	314	70	70	28	20,00
		<b>90 14M 55</b>	<b>14M5590</b>	10A	-	90	401,07	398,28	-	135,0	358	70	70	28	22,60
		<b>112 14M 55</b>	<b>14M5511</b>	10A	-	112	499,11	496,32	-	135,0	456	70	70	28	29,50
		<b>144 14M 55</b>	<b>14M5514</b>	10A	-	144	641,71	638,92	-	135,0	600	70	70	28	39,00
		<b>168 14M 55</b>	<b>14M5516</b>	10A	-	168	748,66	745,87	-	135,0	706	70	70	28	48,50
		<b>192 14M 55</b>	<b>14M5519</b>	10A	-	192	855,62	852,82	-	135,0	813	70	70	28	57,80
<b>216 14M 55</b>	<b>14M5521</b>	10A	-	216	962,57	959,76	-	150,0	920	70	70	28	67,00		

### HTD® 14M-85

Caratteristiche Features Merkmale Características Características	Codice Code symbol Bezeichnung Code symbole Numero de fabrica	Nostro codice Our code Unser Code Notre code Nuestro codigo	Tipo Type Typ Type Tipo	Codice flangia Flange code Bordscheiben Typ Code flasque Código brida	N. denti N. of teeth Zähnezahl N. bre de dents Cantidad de dientes	Dp	De	Df	Dm	Di	F	L	d	Peso Weight / Gewicht Poids / Peso Kg	
Acciaio / Steel / Stahl Acier / Acero	con flangia / with flanges mit Flanges / avec flasques con tapetas	<b>28 14M 85</b>	<b>14M8528</b>	6F	FL153	28	124,78	122,12	128,0	100,0	-	102	117	24	7,70
		<b>29 14M 85</b>	<b>14M8529</b>	6F	FL154	29	129,23	126,57	138,0	100,0	-	102	117	24	8,40
		<b>30 14M 85</b>	<b>14M8530</b>	6F	FL154	30	133,69	130,99	138,0	100,0	-	102	117	24	9,10
		<b>32 14M 85</b>	<b>14M8532</b>	6F	FL160	32	142,60	139,88	154,0	100,0	-	102	117	24	10,50
		<b>34 14M 85</b>	<b>14M8534</b>	6F	FL166	34	151,52	148,79	160,0	100,0	-	102	117	24	11,90
		<b>36 14M 85</b>	<b>14M8536</b>	6F	FL168	36	160,43	157,68	168,0	100,0	-	102	117	32	13,20
		<b>38 14M 85</b>	<b>14M8538</b>	6F	FL172	38	169,34	166,60	183,0	120,0	-	102	117	32	15,15
		<b>40 14M 85</b>	<b>14M8540</b>	6F	FL162	40	178,25	175,49	188,0	135,0	-	102	117	32	17,10
		<b>44 14M 85</b>	<b>14M8544</b>	6F	FL175	44	196,08	193,28	211,0	135,0	-	102	117	32	23,30
<b>48 14M 85</b>	<b>14M8548</b>	6F	FL180	48	213,90	211,11	226,0	150,0	-	102	117	32	25,00		
Ghisa / Cast iron Grauguss / Fonte Hierro fundido	senza flangia / without flanges / ohne Flanschen sans flasques / sin tapetas	<b>56 14M 85</b>	<b>14M8556</b>	10WF	FL182	56	249,55	246,76	256,0	150,0	207	102	102	32	25,00
		<b>64 14M 85</b>	<b>14M8564</b>	10WF	FL184	64	285,21	282,41	296,0	150,0	240	102	102	32	30,50
		<b>72 14M 85</b>	<b>14M8572</b>	10A	-	72	320,86	318,06	-	150,0	278	102	102	32	28,80
		<b>80 14M 85</b>	<b>14M8580</b>	10A	-	80	356,51	353,71	-	150,0	314	102	102	32	30,10
		<b>90 14M 85</b>	<b>14M8590</b>	10A	-	90	401,07	398,28	-	150,0	358	102	102	32	33,00
		<b>112 14M 85</b>	<b>14M8511</b>	10A	-	112	499,11	496,32	-	150,0	456	102	102	32	41,80
		<b>144 14M 85</b>	<b>14M8514</b>	10A	-	144	641,71	638,92	-	150,0	600	102	102	32	52,40
		<b>168 14M 85</b>	<b>14M8516</b>	10A	-	168	748,66	745,87	-	150,0	706	102	102	32	60,30
		<b>192 14M 85</b>	<b>14M8519</b>	10A	-	192	855,62	852,82	-	165,0	813	102	102	32	70,20
		<b>216 14M 85</b>	<b>14M8521</b>	10A	-	216	962,57	959,76	-	160,0	920	102	102	32	81,00

**Pulegge dentate per cinghie HTD® / Timing belt pulleys HTD®**  
**HTD® Zahnriemenscheiben / Poulies dentées HTD®**  
**Poleas para correas dentadas HTD®**



**HTD® 14M-115**

Caratteristiche Features Merkmal Características	Codice Code symbol Bezeichnung Code symbole Numero de fabrica	Nostro codice Our code Unser Code Notre code Nuestro codigo	Tipo Type Typ Type Tipo	Codice flangia Flange code Bordscheiben Typ Code flasque Código brida	N. denti N. of teeth Zähnezahl N. bre de dents Cantidad de dientes	Dp	De	Df	Dm	Di	F	L	d	Peso Weight / Gewicht Poids / Peso Kg	
Acciaio / Steel / Stahl Acier / Acero	con flangia / with flanges mit Flanges / avec flasques con tapetas	<b>28 14M 115</b>	<b>14M1128</b>	6F	FL153	28	124,78	122,12	128,0	100,0	-	133	148	32	9,20
		<b>29 14M 115</b>	<b>14M1129</b>	6F	FL154	29	129,23	126,57	138,0	100,0	-	133	148	32	10,20
		<b>30 14M 115</b>	<b>14M1130</b>	6F	FL154	30	133,69	130,99	138,0	100,0	-	133	148	32	11,20
		<b>32 14M 115</b>	<b>14M1132</b>	6F	FL160	32	142,60	139,88	154,0	100,0	-	133	148	32	13,20
		<b>34 14M 115</b>	<b>14M1134</b>	6F	FL166	34	151,52	148,79	160,0	100,0	-	133	148	32	14,80
		<b>36 14M 115</b>	<b>14M1136</b>	6F	FL168	36	160,43	157,68	168,0	100,0	-	133	148	32	16,60
		<b>38 14M 115</b>	<b>14M1138</b>	6F	FL172	38	169,34	166,60	183,0	120,0	-	133	148	32	19,20
		<b>40 14M 115</b>	<b>14M1140</b>	6F	FL162	40	178,25	175,49	188,0	135,0	-	133	148	32	20,56
		<b>44 14M 115</b>	<b>14M1144</b>	6F	FL175	44	196,08	193,28	211,0	140,0	-	133	148	32	21,93
		<b>48 14M 115</b>	<b>14M1148</b>	6F	FL180	48	213,90	211,11	226,0	150,0	-	133	148	32	25,00
		<b>56 14M 115</b>	<b>14M1156</b>	6F	FL182	56	249,55	246,76	256,0	150,0	-	133	148	32	27,50
			<b>64 14M 115</b>	<b>14M1164</b>	10WF	FL184	64	285,21	282,41	296,0	150,0	240	133	133	32
Ghisa / Cast iron Grauguss / Fonte Hierro fundido	senza flangia / without flanges / ohne Flanschen sans flasques / sin tapetas	<b>72 14M 115</b>	<b>14M1172</b>	10A	-	72	320,86	318,06	-	150,0	278	133	133	32	32,83
		<b>80 14M 115</b>	<b>14M1180</b>	10A	-	80	356,51	353,71	-	150,0	314	133	133	32	35,55
		<b>90 14M 115</b>	<b>14M1190</b>	10A	-	90	401,07	398,28	-	150,0	358	133	133	32	41,00
		<b>112 14M 115</b>	<b>14M1111</b>	10A	-	112	499,11	496,32	-	150,0	456	133	133	32	54,40
		<b>144 14M 115</b>	<b>14M1114</b>	10A	-	144	641,71	638,92	-	165,0	600	133	133	32	67,80
		<b>168 14M 115</b>	<b>14M1116</b>	10A	-	168	748,66	745,87	-	165,0	706	133	133	32	75,80
		<b>192 14M 115</b>	<b>14M1119</b>	10A	-	192	855,62	852,82	-	165,0	813	133	133	32	88,30
		<b>216 14M 115</b>	<b>14M1121</b>	10A	-	216	962,57	959,76	-	165,0	920	133	133	32	98,00

**HTD® 14M-170**

Caratteristiche Features Merkmal Características	Codice Code symbol Bezeichnung Code symbole Numero de fabrica	Nostro codice Our code Unser Code Notre code Nuestro codigo	Tipo Type Typ Type Tipo	Codice flangia Flange code Bordscheiben Typ Code flasque Código brida	N. denti N. of teeth Zähnezahl N. bre de dents Cantidad de dientes	Dp	De	Df	Dm	Di	F	L	d	Peso Weight / Gewicht Poids / Peso Kg	
Acciaio / Steel / Stahl Acier / Acero	con flangia / with flanges mit Flanges / avec flasques con tapetas	<b>28 14M 170</b>	<b>14M1728</b>	6F	FL153	28	124,78	122,12	128,0	100,0	-	187	202	32	9,20
		<b>29 14M 170</b>	<b>14M1729</b>	6F	FL154	29	129,23	126,57	138,0	100,0	-	187	202	32	10,20
		<b>30 14M 170</b>	<b>14M1730</b>	6F	FL154	30	133,69	130,99	138,0	100,0	-	187	202	32	11,20
		<b>32 14M 170</b>	<b>14M1732</b>	6F	FL160	32	142,60	139,88	154,0	100,0	-	187	202	32	13,20
		<b>34 14M 170</b>	<b>14M1734</b>	6F	FL166	34	151,52	148,79	160,0	100,0	-	187	202	32	14,80
		<b>36 14M 170</b>	<b>14M1736</b>	6F	FL168	36	160,43	157,68	168,0	100,0	-	187	202	32	16,60
		<b>38 14M 170</b>	<b>14M1738</b>	6F	FL172	38	169,34	166,60	183,0	120,0	-	187	202	32	19,20
		<b>40 14M 170</b>	<b>14M1740</b>	6F	FL162	40	178,25	175,49	188,0	135,0	-	187	202	32	20,56
		<b>44 14M 170</b>	<b>14M1744</b>	6F	FL175	44	196,08	193,28	211,0	140,0	-	187	202	32	21,93
		<b>48 14M 170</b>	<b>14M1748</b>	6F	FL180	48	213,90	211,11	226,0	150,0	-	187	202	32	25,00
		<b>56 14M 170</b>	<b>14M1756</b>	6F	FL182	56	249,55	246,76	256,0	150,0	-	187	202	32	27,50
			<b>64 14M 170</b>	<b>14M1764</b>	10WF	FL184	64	285,21	282,41	296,0	150,0	240	187	187	32
Ghisa / Cast iron Grauguss / Fonte Hierro fundido	senza flangia / without flanges / ohne Flanschen sans flasques / sin tapetas	<b>72 14M 170</b>	<b>14M1772</b>	10A	-	72	320,86	318,06	-	150,0	278	187	187	32	32,83
		<b>80 14M 170</b>	<b>14M1780</b>	10A	-	80	356,51	353,71	-	150,0	314	187	187	32	35,55
		<b>90 14M 170</b>	<b>14M1790</b>	10A	-	90	401,07	398,28	-	150,0	358	187	187	32	41,00
		<b>112 14M 170</b>	<b>14M1711</b>	10A	-	112	499,11	496,32	-	150,0	456	187	187	32	54,40
		<b>144 14M 170</b>	<b>14M1714</b>	10A	-	144	641,71	638,92	-	165,0	600	187	187	32	67,80
		<b>168 14M 170</b>	<b>14M1716</b>	10A	-	168	748,66	745,87	-	165,0	706	187	187	32	75,80
		<b>192 14M 170</b>	<b>14M1719</b>	10A	-	192	855,62	852,82	-	165,0	813	187	187	32	88,30
		<b>216 14M 170</b>	<b>14M1721</b>	10A	-	216	962,57	959,76	-	165,0	920	187	187	32	98,00