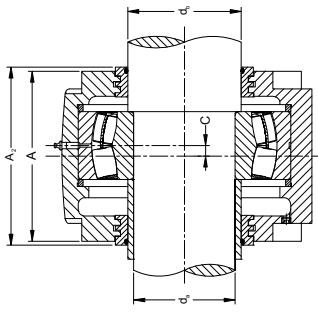
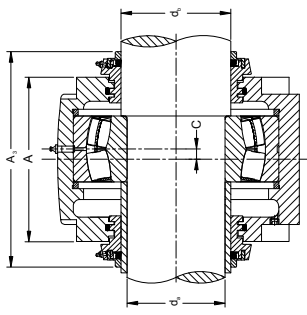


**FOUR-BOLT SNTD HOUSINGS FOR CYLINDRICAL BORE BEARINGS**

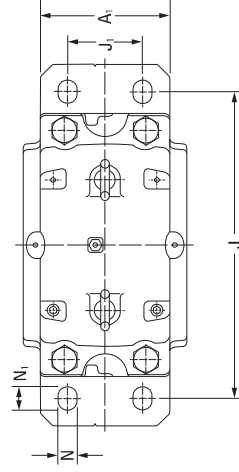
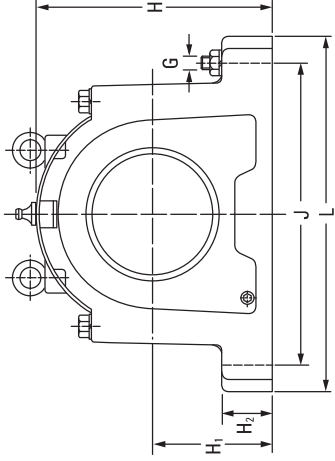
**3000 AND 3100 SERIES (CONTINUED)**



**Labyrinth Seal**



**Taconite Seal**



Continued from previous page.

Shaft Dia.	Housing	Bearing	Locating Rings <sup>(1)</sup>	Quantity Locating Rings Required for Fixed	Labyrinth Seal <sup>(2)</sup>	Taconite Seal <sup>(2)</sup>	End Cover <sup>(2)</sup>
220	SNTD 3044G	23044	SR340X10	4	LO52	TA52	EC52
	SNTD 3044G	24044	SR340X6	2	LO52	TA52	EC52
	SNTD 3144G	23144	SR70X10	2	LO52	TA52	EC52
	SNTD 3148G	22244	SR400X10	4	LO56/240	TA56/240	EC56
240	SNTD 3156G	22344	SR460X10.5	2	LO56/240	TA56/240	EC56
	SNTD 3048G	23048	SR360X12	4	LO56	TA56	EC56
	SNTD 3048G	24048	SR360X11	2	LO56	TA56	EC56
	SNTD 3148G	23148	SR400X10	2	LO56	TA56	EC56
260	SNTD 3152G	22248	SR440X22	2	LO60/260	TA60/260	EC60
	SNTD 3160G	22348	SR500X12.5	2	LO60/260	TA60/260	EC60
	SNTD 3052G	23052	SR400X22	2	LO60	TA60	EC60
	SNTD 3052G	24052	SR400X4	2	LO60	TA60	EC60
280	SNTD 3152G	23152	SR440X10	2	LO60	TA60	EC60
	SNTD 3064G	22252	SR480X25.5	2	LO64/280	TA64/280	EC64
	SNTD 3164G	22352	SR540X15.5	2	LO64/290	TA64/290	EC64
	SNTD 3056G	23056	SR420X13	6	LO64	TA64	EC64
300	SNTD 3056G	24056	SR420X13	2	LO64	TA64	EC64
	SNTD 3156G	23156	SR460X10	2	LO64	TA64	EC64
	SNTD 3160G	22256	SR600X25	2	LO68/300	TA68/300	EC68
	SNTD 3168G	22356	SR580X17.5	2	LO68/310	TA68/310	EC68
320	SNTD 3060G	23060	SR460X25	2	LO68	TA68	EC68
	SNTD 3060G	24060	SR460X4	2	LO68	TA68	EC68
	SNTD 3160G	23160	SR500X10	2	LO68	TA68	EC68
	SNTD 3164G	22260	SR540X28	2	LO72/320	TA72/320	EC72

<sup>(1)</sup> Locating rings = sold one piece per box.

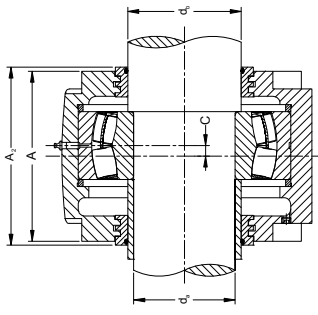
<sup>(2)</sup> Labyrinth, taconite seal and end cover sold one per box.

Housing Dimensions														4 Bolts Req'd		Housing Mass	
A	A <sub>1</sub>	A <sub>2</sub>	A <sub>3</sub>	C	H	H <sub>1</sub>	H <sub>2</sub>	H <sub>3</sub>	J	J <sub>1</sub>	L	N <sub>1</sub>	N	N <sub>2</sub>	N <sub>3</sub>	G	kg
280	230	285.5	369	10	411	210	85	510	130	610	610	42	35	30	30	115.4	
280	230	285.5	369	10	411	210	85	510	130	610	610	42	35	30	30	115.4	
290	240	295.5	379	12	434	220	90	540	140	640	640	42	35	30	30	132.1	
310	260	319	397.5	12	473	240	95	600	150	700	700	42	35	30	30	172.1	
320	280	332.5	412	16	551	280	105	670	160	790	790	50	42	36	36	260	
290	240	295.5	379.5	12	434	220	90	540	140	640	640	42	35	30	30	136.4	
290	240	295.5	379.5	12	434	220	90	540	140	640	640	42	35	30	30	136.4	
310	260	319	397.5	12	473	240	95	600	150	700	700	42	35	30	30	172.1	
320	280	332	411.5	13	516	260	100	650	160	770	770	50	42	36	36	215.8	
350	310	363	442.5	22	591	300	110	710	190	830	830	50	42	36	36	310	
310	260	319	396.5	12	473	240	95	600	150	700	700	42	35	30	30	166.6	
310	260	319	396.5	12	473	240	95	600	150	700	700	42	35	30	30	166.6	
320	280	332.5	412	13	516	260	100	650	160	770	770	50	42	36	36	235	
350	310	362.5	442	22	590	300	110	710	190	830	830	50	42	36	36	330.7	
370	330	383	462.5	23	631	320	115	750	200	880	880	50	42	36	36	346	
320	280	331.5	408	13	516	260	100	650	160	770	770	50	42	36	36	234.6	
320	280	331.5	408	13	516	260	100	650	160	770	770	50	42	36	36	234.6	
320	280	332	408	16	550	280	105	670	160	790	790	50	42	36	36	244.8	
350	310	362	440.5	22	590	300	110	710	190	830	830	50	42	36	36	296.7	
400	360	412	491.5	25	675	340	120	810	220	950	950	50	42	36	36	429.5	
320	280	331.5	408	16	550	280	105	670	160	790	790	50	42	36	36	237.3	
320	280	331.5	408	16	550	280	105	670	160	790	790	50	42	36	36	237.3	
350	310	362	440.5	22	590	300	110	710	190	830	830	50	42	36	36	296.7	
370	330	381.5	460	23	630	320	115	750	200	880	880	50	42	36	36	347.9	

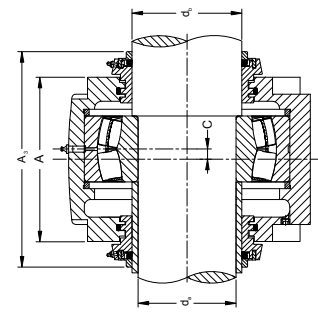
3D CAD and 2D drawings available at <http://cad.timken.com/category/snt-housed-units>

# FOUR-BOLT SNTD HOUSINGS FOR CYLINDRICAL BORE BEARINGS

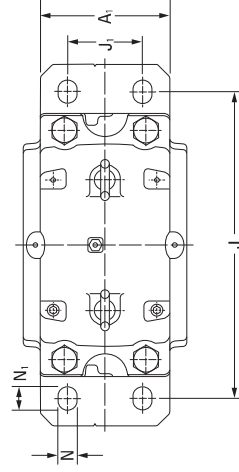
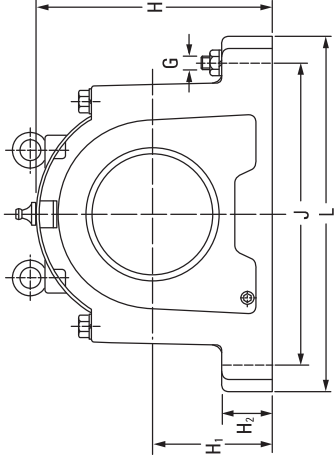
# 3000 AND 3100 SERIES (CONTINUED)



Labyrinth Seal



Taconite Seal



Continued from previous page.

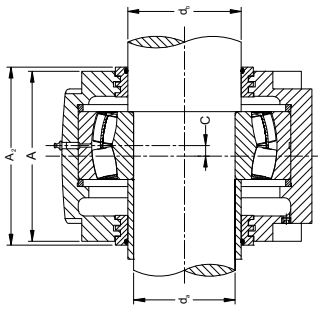
Shaft Dia.	Housing	Bearing	Locating Rings <sup>(1)</sup>	Quantity Locating Rings Required for Fixed	Labyrinth Seal <sup>(2)</sup>	Taconite Seal <sup>(2)</sup>	End Cover <sup>(2)</sup>
320	SNTD 3064G	23064	SR480X10	6	LO72	TA72	EC72
	SNTD 3064G	24064	SR480X10.5	2	LO72	TA72	EC72
	SNTD 3164G	23164	SR540X10	2	LO76/340	TA76/340	EC76
	SNTD 3168GF	22264	SR600X20	2	LO76/340	TA76/340	EC76
340	SNTD 3068G	23068	SR520X16	4	LO76	TA76	EC76
	SNTD 3068G	24068	SR520X8.5	2	LO76	TA76	EC76
	SNTD 3168GF	23168	FIXED HOUSING	-	LO76	TA76	EC76
	SNTD 3168GL	23168	FLOAT HOUSING	-	LO76	TA76	EC76
360	SNTD 3072G	23072	SR540X16	4	LO80	TA80	EC80
	SNTD 3072G	24072	SR540X9	2	LO80	TA80	EC80
	SNTD 3172GF	23172	FIXED HOUSING	-	LO80	TA80	EC80
	SNTD 3172GL	23172	FLOAT HOUSING	-	LO80	TA80	EC80
380	SNTD 3180F	22272	SR650X25	2	LO80/390	TA80/390	EC80
	SNTD 3076GF	23076	FIXED HOUSING	-	LO84	TA84	EC84
	SNTD 3076GL	23076	FLOAT HOUSING	-	LO84	TA84	EC84
	SNTD 3176GF	23176	FIXED HOUSING	-	LO84	TA84	EC84
400	SNTD 3176GL	23176	FLOAT HOUSING	-	LO84	TA84	EC84
	SNTD 3080GF	23080	FIXED HOUSING	-	LO92	TA92	EC92
	SNTD 3080GL	23080	FLOAT HOUSING	-	LO92	TA92	EC92
	SNTD 3180GF	23180	FIXED HOUSING	-	LO92	TA92	EC92
430	SNTD 3180GL	23180	FLOAT HOUSING	-	LO92	TA92	EC92
	SNTD 3084GF	23084	FIXED HOUSING	-	LO96	TA96	EC96
	SNTD 3084GL	23084	FLOAT HOUSING	-	LO96	TA96	EC96
	SNTD 3184GF	23184	FIXED HOUSING	-	LO96	TA96	EC96

<sup>(1)</sup>Locating rings = sold one piece per box.  
<sup>(2)</sup>Labyrinth, taconite seal and end cover sold one per box.

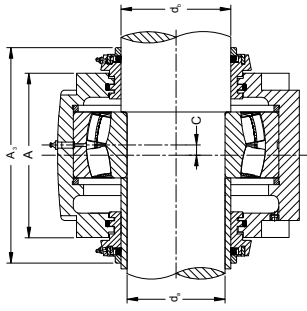
Housing Dimensions														4 Bolts Req'd		Housing Mass	
A	A <sub>1</sub>	A <sub>2</sub>	A <sub>3</sub>	C	H	H <sub>1</sub>	H <sub>2</sub>	H <sub>z</sub>	J	J <sub>1</sub>	L	N <sub>1</sub>	N	N <sub>i</sub>	N	G	kg
350	310	361.5	434	22	590	300	110	710	710	190	830	50	42	36	320.1		
350	310	361.5	434	22	590	300	110	710	710	190	830	50	42	36	320.1		
370	330	381.5	460	23	630	320	115	750	750	200	880	50	42	36	347.9		
400	360	410.5	489	24	675	340	120	810	810	220	950	50	42	36	433.6		
370	330	380.5	457	23	630	320	115	750	750	200	880	50	42	36	377.7		
370	330	380.5	457	23	630	320	115	750	750	200	880	50	42	36	377.7		
400	360	410.5	489	24	675	340	120	810	810	220	950	50	42	36	433.6		
400	360	410.5	489	24	675	340	120	810	810	220	950	50	42	36	433.6		
370	330	379.5	457	23	630	320	115	750	750	200	880	50	42	36	336.5		
370	330	379.5	457	23	630	320	115	750	750	200	880	50	42	36	336.5		
400	360	410.5	488	30	695	350	120	840	840	220	1000	50	42	36	457.5		
400	360	410.5	488	30	695	350	120	840	840	220	1000	50	42	36	457.5		
430	390	442	521.5	30	775	380	125	950	950	240	1120	60	48	42	595		
400	360	410.5	487	23	675	340	120	810	810	220	950	50	42	36	458.9		
400	360	410.5	487	24	675	340	120	810	810	220	950	50	42	36	458.9		
400	360	410.5	487	30	715	360	120	870	870	220	1040	50	42	36	498.9		
400	360	410.5	487	30	715	360	120	870	870	220	1040	50	42	36	498.9		
400	360	410.5	489	30	695	350	120	840	840	220	1000	50	42	36	433.3		
400	360	410.5	489	30	695	350	120	840	840	220	1000	50	42	36	433.3		
430	390	440	519	30	775	380	125	950	950	240	1120	60	48	42	665.3		
430	390	440	519	30	775	380	125	950	950	240	1120	60	48	42	665.3		

# FOUR-BOLT SNTD HOUSINGS FOR CYLINDRICAL BORE BEARINGS

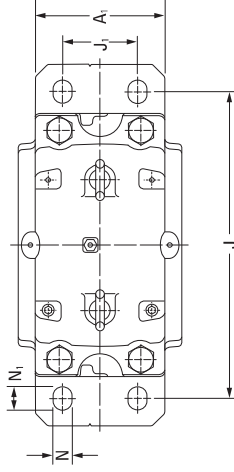
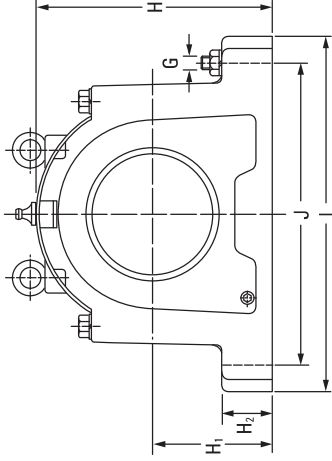
# 3000 AND 3100 SERIES (CONTINUED)



Labyrinth Seal



Taconite Seal



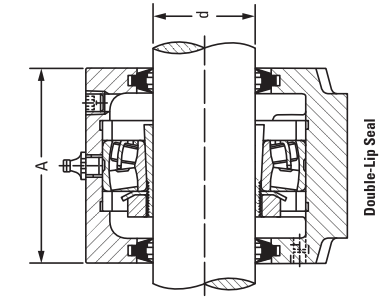
Continued from previous page.

Shaft Dia.	Housing	Bearing	Locating Rings <sup>(1)</sup>	Quantity Locating Rings Required for Fixed	Labyrinth Seal <sup>(2)</sup>	Taconite Seal <sup>(2)</sup>	End Cover <sup>(2)</sup>
420	SNTD 3084GF	23084	FIXED HOUSING	-	LO96	TA96	EC96
	SNTD 3084GL	23084	FLOAT HOUSING	-	LO96	TA96	EC96
	SNTD 3184GF	23184	FIXED HOUSING	-	LO96	TA96	EC96
	SNTD 3184GL	23184	FLOAT HOUSING	-	LO96	TA96	EC96
440	SNTD 3088GF	23088	FIXED HOUSING	-	L030/500	TA30/500	EC30/500
	SNTD 3088GL	23088	FLOAT HOUSING	-	L030/500	TA30/500	EC30/500
	SNTD 3188GF	23188	FIXED HOUSING	-	L030/500	TA30/500	EC30/500
	SNTD 3188GL	23188	FLOAT HOUSING	-	L030/500	TA30/500	EC30/500
460	SNTD 3092GF	23092	FIXED HOUSING	-	L030/530	TA30/530	EC30/530
	SNTD 3092GL	23092	FLOAT HOUSING	-	L030/530	TA30/530	EC30/530
	SNTD 3192GF	23192	FIXED HOUSING	-	L030/530	TA30/530	EC30/530
	SNTD 3192GL	23192	FLOAT HOUSING	-	L030/530	TA30/530	EC30/530
480	SNTD 3096GF	23096	FIXED HOUSING	-	L030/530/510	TA30/530/510	EC30/530
	SNTD 3096GL	23096	FLOAT HOUSING	-	L030/530/510	TA30/530/510	EC30/530
	SNTD 3196GF	23196	FIXED HOUSING	-	L030/560/520	TA30/560/520	EC30/560
	SNTD 3196GL	23196	FLOAT HOUSING	-	L030/560/520	TA30/560/520	EC30/560
500	SNTD 30/500GF	230/500	FIXED HOUSING	-	L030/560	TA30/560	EC30/560
	SNTD 30/500GL	230/500	FLOAT HOUSING	-	L030/560	TA30/560	EC30/560
	SNTD 30/530GF	230/530	FIXED HOUSING	-	L030/600	TA30/600	EC30/600
	SNTD 30/530GL	230/530	FLOAT HOUSING	-	L030/600	TA30/600	EC30/600

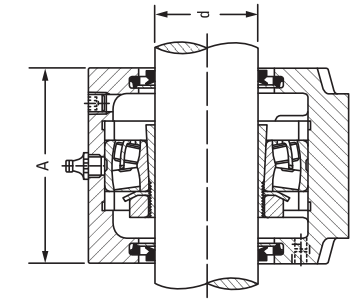
<sup>(1)</sup>Locating rings = sold one piece per box.  
<sup>(2)</sup>Labyrinth, taconite seal and end cover sold one per box.

Housing Dimensions														4 Bolts Req'd		Housing Mass
A	A <sub>1</sub>	A <sub>2</sub>	A <sub>3</sub>	C	H	H <sub>1</sub>	H <sub>2</sub>	H <sub>z</sub>	J	J <sub>1</sub>	L	N <sub>i</sub>	N	G	mm	kg
400	360	410.5	491.5	30	715	360	120	120	870	220	1040	50	42	36	475.2	
400	360	410.5	491.5	30	715	360	120	120	870	220	1040	50	42	36	475.2	
460	420	470	551	35	810	410	130	130	1000	260	1170	60	48	42	722.8	
460	420	470	551	35	810	410	130	130	1000	260	1170	60	48	42	722.8	
430	390	440	513	30	775	380	125	125	950	240	1120	60	48	42	649.1	
430	390	440	513	30	775	380	125	125	950	240	1120	60	48	42	649.1	
460	430	470	543	35	835	420	135	135	1030	260	1220	60	48	42	806.4	
460	430	470	543	35	835	420	135	135	1030	260	1220	60	48	42	806.4	
460	420	470	543	35	810	410	130	130	1000	260	1170	60	48	42	760.7	
460	420	470	543	35	810	410	130	130	1000	260	1170	60	48	42	760.7	
470	440	480	555	35	880	440	145	145	1070	260	1280	60	48	42	887.5	
470	440	480	555	35	880	440	145	145	1070	260	1280	60	48	42	887.5	
460	420	470	555	42	810	410	130	130	1000	260	1170	60	48	42	699.8	
460	420	470	555	42	810	410	130	130	1000	260	1170	60	48	42	699.8	
470	440	476	545	35	920	460	155	155	1110	260	1330	70	56	48	941.6	
470	440	476	545	35	920	460	155	155	1110	260	1330	70	56	48	941.6	
460	430	470	545	35	835	420	135	135	1030	260	1220	60	48	42	779.4	
460	430	470	545	35	835	420	135	135	1030	260	1220	60	48	42	779.4	
470	440	480	555	35	920	460	155	155	1110	260	1330	70	56	48	954.1	
470	440	480	555	35	920	460	155	155	1110	260	1330	70	56	48	954.1	

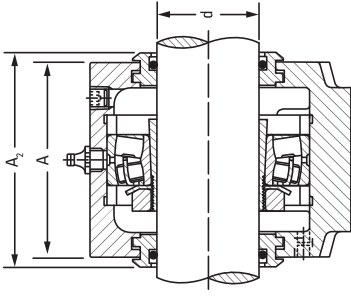
## SNTN HOUSINGS FOR TAPERED BORE BEARINGS



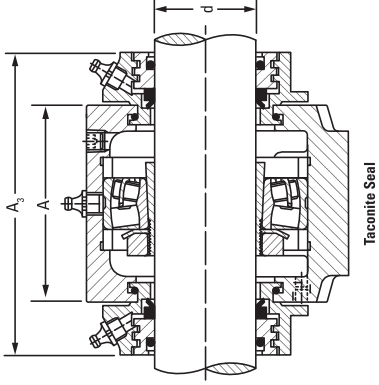
Double-Lip Seal



V-Ring Seal



Labyrinth Seal



Taconite Seal

- SNTN 3000 Light Series cast iron housings are designed for large spherical roller bearings (110 - 140 mm tapered bore) used in light duty applications.
- The part numbers for ordering split-plummer block housings and components are listed in the table below.
- Each housing includes the housing cap, housing base and cap bolts.

- Specify bearing suffix W33 for center lubrication of groove and holes, and use the housing center port for the grease fitting.
- Grease hole fittings and plugs use 1/4 BSPT thread size.
- Housings shown are furnished in cast iron.

Shaft Dia. d	Housing	Bearing	Locating Rings <sup>(1)</sup> O.D. x Width	Adapter Sleeve <sup>(2)</sup>	Double-Lip Seal <sup>(3)</sup>	V-Ring Seal <sup>(3)</sup>	Labyrinth Seal <sup>(4)</sup>	Taconite Seal <sup>(4)</sup>	End Cover <sup>(4)</sup>
110	SNTN 3024	23024K	SR180X12	H3024	TSN6524	VR524	LO524	TA524	EC524-620
115	SNTN 3026	23026K	SR200X13.5	H3026	TSN6526	VR526	LO526	TA526	EC526
125	SNTN 3028	23028K	SR210X13	H3028	TSN6528	VR528	LO528	TA528	EC528
135	SNTN 3030	23030K	SR225X15	H3030	TSN6530	VR530	LO530	TA530	EC530
140	SNTN 3032	23032K	SR240X15	H3032	TSN6532	VR532	LO532	TA532	EC532

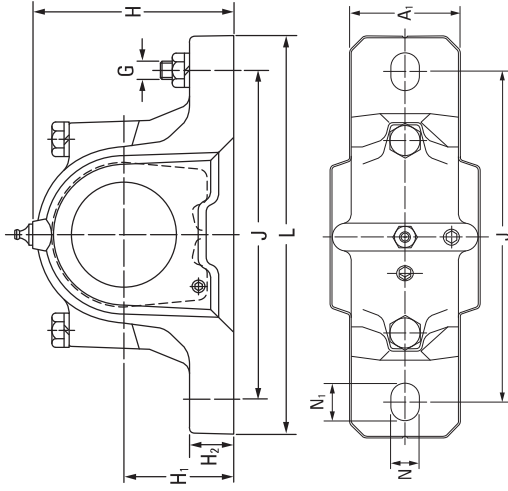
<sup>(1)</sup> Locating rings = two required for fixed position, sold one piece per box.

<sup>(2)</sup> Adapter sleeve assembly includes one sleeve, one locknut and one lockwasher.

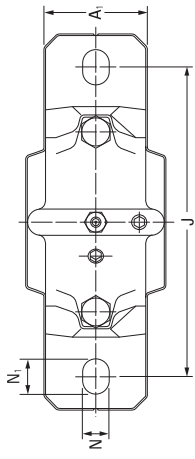
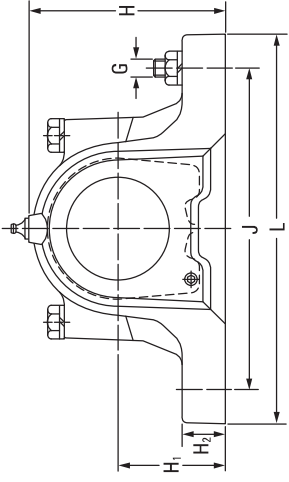
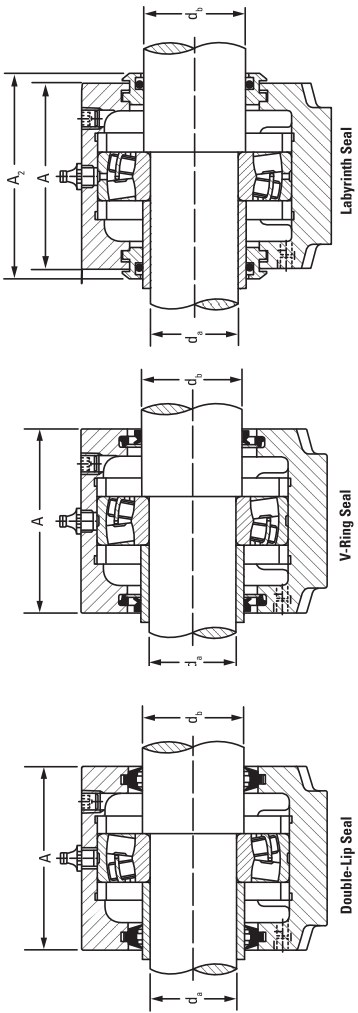
<sup>(3)</sup> Double-lip and V-ring seals sold two seals per box.

<sup>(4)</sup> Labyrinth, taconite seal and end cover sold one per box.

## 3000 LIGHT SERIES



Housing Dimensions										2 Belts Req'd		
A	A1	A2	A3	H	H1	H2	J	L	N	N1	G	Housing Mass
mm	mm	mm	mm	mm	mm	mm	mm	mm	mm	mm	mm	kg
160	110	180	240	218	112	40	320	380	26	32	24	17.0
175	120	200	245	242	125	45	350	410	26	32	24	20.0
175	120	195	255	270	140	45	350	410	26	32	24	25.0
190	130	215	265	290	150	50	380	445	28	35	24	30.0
190	130	215	270	297	150	50	390	460	28	35	24	36.0



- SNTN 3000 Light Series cast iron housings are designed for large spherical roller bearings (120 – 175 mm cylindrical bore) used in light duty applications.
- The part numbers for ordering split-plummer block housings and components are listed in the table below.
- Each housing includes the housing cap, housing base and cap bolts.
- Specify bearing suffix W33 for center lubrication of groove and holes, and use the housing center port for the grease fitting.
- Grease hole fittings and plugs use 1/4 BSPT thread size.
- Assemblies shown are furnished in cast iron.
- Seal Sleeve for  $d_o$  shaft to be supplied by customer and should have same O.D. as  $d_o$ .

Shaft Dia.		Housing	Bearing	Locating Rings <sup>(1)</sup> O.D. x Width	Double-Lip Seal <sup>(2)</sup>	V-Ring Seal <sup>(2)</sup>	Labyrinth Seal <sup>(3)</sup>	End Cover <sup>(4)</sup>
$d_s$ mm	$d_b$ mm							
120	135	SNTN 3024	23024	SR180X12	TSNG224	VR224	LO224	EC624-620
		SNTN 3024	24024	SR180X5	TSNG224	VR224	LO224	EC624-620
130	145	SNTN 3026	23026	SR200X13.5	TSNG226	VR226	LO226	EC526
		SNTN 3026	24026	SR200X5	TSNG226	VR226	LO226	EC526
140	155	SNTN 3028	23028	SR210X13	TSNG228	VR228	LO228	EC528
		SNTN 3028	24028	SR210X5	TSNG228	VR228	LO228	EC528
150	165	SNTN 3030	23030	SR225X15	TSNG230	VR230	LO230	EC530
		SNTN 3030	24030	SR225X5.5	TSNG230	VR230	LO230	EC530
160	175	SNTN 3032	23032	SR240X15	TSNG232	VR232	LO232	EC532
		SNTN 3032	24032	SR240X5	TSNG232	VR232	LO232	EC532

<sup>(1)</sup> Locating rings = two required for fixed position, sold one piece per box.

<sup>(2)</sup> Double-lip and V-ring seals sold two seals per box.

<sup>(3)</sup> Labyrinth seal and end cover sold one per box.

Housing Dimensions												2 Bolts Req'd		Housing Mass kg	
A	A <sub>1</sub>	A <sub>2</sub>	A <sub>3</sub>	H	H <sub>1</sub>	H <sub>2</sub>	J	L	N	N <sub>1</sub>	N <sub>2</sub>	mm	G		mm
160	110	180	240	218	112	40	320	380	26	32	32	24	24	24	17.0
160	110	180	240	218	112	40	320	380	26	32	32	24	24	24	17.0
175	120	200	245	242	125	45	350	410	26	32	32	24	24	24	20.0
175	120	200	245	242	125	45	350	410	26	32	32	24	24	24	20.0
175	120	195	255	270	140	45	350	410	26	32	32	24	24	24	25.0
175	120	195	255	270	140	45	350	410	26	32	32	24	24	24	25.0
190	130	215	265	290	150	50	380	445	28	35	35	24	24	24	30.0
190	130	215	265	290	150	50	380	445	28	35	35	24	24	24	30.0
190	130	215	270	297	150	50	390	460	28	35	35	24	24	24	36.0
190	130	215	270	297	150	50	390	460	28	35	35	24	24	24	36.0



## CALL ON TIMKEN

For your nearest Timken sales representative, visit [www.timken.com](http://www.timken.com).

## INDUSTRIES AND APPLICATIONS

- Power Generation (Coal)
- Mining
- Aggregate/Cement
- Metal Mills
- Pulp & Paper/Sawmills/Forestry
- Water Treatment
- Food Processing
- Warehousing
- Movable Bridges/Structures
- Industrial Fans/Blowers

# TIMKEN

The Timken team applies their know-how to improve the reliability and performance of machinery in diverse markets worldwide. The company designs, makes and markets bearings, gear drives, automated lubrication systems, belts, brakes, clutches, chain, couplings, linear motion products and related power transmission rebuild and repair services.

**Stronger. By Design.**

[www.timken.com](http://www.timken.com)