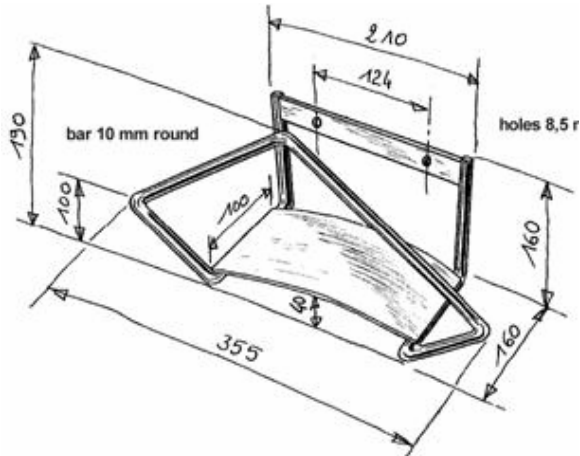


Support tuyau en INOX

Increase the life time of your hoses with a hose rack. Measures for the standard racks can be found below. All other dimensions or shapes are available on demand.

Product code: REKFR30

Stainless Steel (304) hose rack for about 25m hose 1/2" and 20m hose 3/4", electro polished.

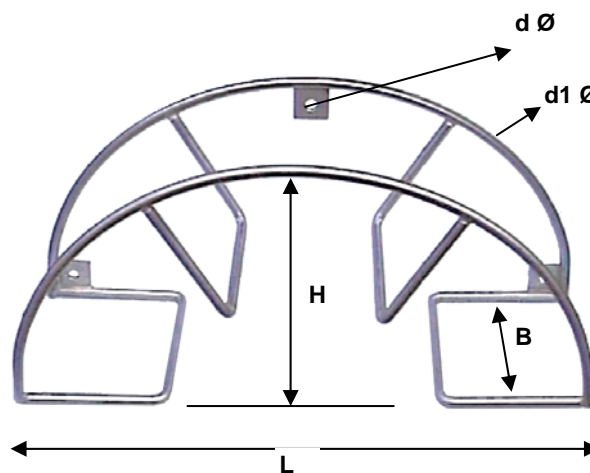


Material

Electro polished Stainless steel 304
Edehlstahl Electropoliert
Inox Electropolis
Electro polished RVS 304

Product code: REKFR60

Stainless Steel (304) hose rack for about 40m hose 1/2" and 30m hose 3/4".



Measures

L	B	H	d Ø	d1 Ø
50 cm	14 cm	25,5 cm	0,95 cm	1,0 cm

Material

Stainless steel
Edelstahl 304
INOX 304
RVS

