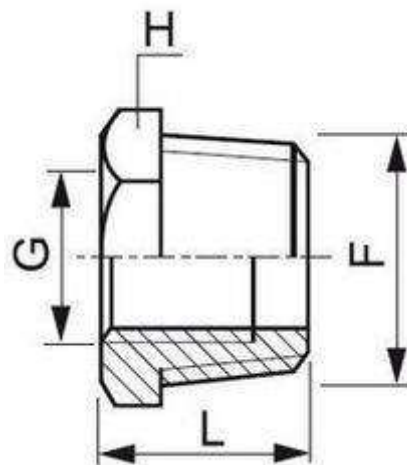




Raccords et accessoires filetés ISO → Réductions

Mâles / Femelles 316L usinées



I.RMF_G

| DN | F | G | L | H | Poids (Kg) | Raccordement | Réf. | Raccordement | Réf. |
|-------|-------|------|----|----|------------|--------------|----------|--------------|----------|
| 8-5 | 1/4" | 1/8" | 13 | 14 | 0,01 | Gaz/BSP | RMF85G | NPT/BRIGGS | RMF85B |
| 12-5 | 3/8" | 1/8" | 15 | 19 | 0,02 | Gaz/BSP | RMF125G | NPT/BRIGGS | RMF125B |
| 12-8 | 3/8" | 1/4" | 15 | 19 | 0,02 | Gaz/BSP | RMF128G | NPT/BRIGGS | RMF128B |
| 15-5 | 1/2" | 1/8" | 18 | 23 | 0,045 | Gaz/BSP | RMF155G | NPT/BRIGGS | RMF155B |
| 15-8 | 1/2" | 1/4" | 18 | 23 | 0,035 | Gaz/BSP | RMF158G | NPT/BRIGGS | RMF158B |
| 15-12 | 1/2" | 3/8" | 18 | 23 | 0,025 | Gaz/BSP | RMF1512G | NPT/BRIGGS | RMF1512B |
| 20-5 | 3/4" | 1/8" | 22 | 27 | 0,08 | Gaz/BSP | RMF205G | | |
| 20-8 | 3/4" | 1/4" | 22 | 27 | 0,07 | Gaz/BSP | RMF208G | NPT/BRIGGS | RMF208B |
| 20-12 | 3/4" | 3/8" | 22 | 27 | 0,06 | Gaz/BSP | RMF2012G | NPT/BRIGGS | RMF2012B |
| 20-15 | 3/4" | 1/2" | 22 | 27 | 0,04 | Gaz/BSP | RMF2015G | NPT/BRIGGS | RMF2015B |
| 25-8 | 1" | 1/4" | 23 | 36 | 0,165 | Gaz/BSP | RMF258G | NPT/BRIGGS | RMF258B |
| 25-12 | 1" | 3/8" | 23 | 36 | 0,125 | Gaz/BSP | RMF2512G | NPT/BRIGGS | RMF2512B |
| 25-15 | 1" | 1/2" | 23 | 36 | 0,105 | Gaz/BSP | RMF2515G | | |
| 25-20 | 1" | 3/4" | 23 | 36 | 0,075 | Gaz/BSP | RMF2520G | NPT/BRIGGS | RMF2520B |
| 32-12 | 1"1/4 | 3/8" | 27 | 46 | 0,25 | Gaz/BSP | RMF3212G | | |
| 32-15 | 1"1/4 | 1/2" | 27 | 46 | 0,245 | Gaz/BSP | RMF3215G | | |
| 32-20 | 1"1/4 | 3/4" | 27 | 46 | 0,22 | Gaz/BSP | RMF3220G | NPT/BRIGGS | RMF3220B |
| 32-25 | 1"1/4 | 1" | 27 | 46 | 0,135 | Gaz/BSP | RMF3225G | NPT/BRIGGS | RMF2225B |
| 40-15 | 1"1/2 | 1/2" | 30 | 50 | 0,365 | Gaz/BSP | RMF4015G | | |

FGinox 3 route de Lyon 69530 BRIGNAIS France

France : T. +33 (0)437 20 17 17 F. +33 (0)437 20 00 26 E. commercial@fginox.fr

Export : T. +33 (0)437 20 17 00 F. +33 (0)437 20 21 95 E. export@fginox.fr

SAS au capital de 490 000 Euros • N° Siret : 330 458 340 00065 • Naf : 4674A • N° ident. TVA FR 15330458340