






REF.	FA 60 016 06
CE	EN 795:2012 Type B
	23 kN / 95 mm
MAT.	
+	FA 60 016 05
	0.51 KG

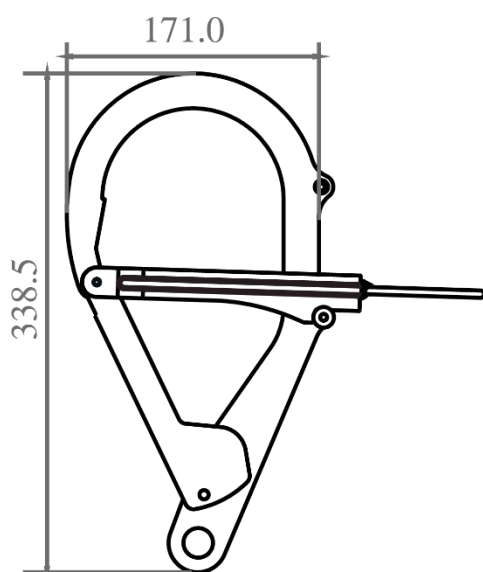
**MAT.**

+

**Résistance à la rupture / Ouverture**  
 Breaking strength / Gate opening  
**Resistencia a la ruptura / Apertura**  
 Resistenza alla rottura / Apertura  
**Bruchfestigkeit / Öffnung**

**Matière**  
 Material  
**Material**  
 Materia  
**Material**

**À utiliser avec**  
 To be used with  
**Para usar con**  
 Ad essere utilizzato con  
**Verwendet werden**  
 soll mit



HS CODE	73269098
CARTON SIZE / PCS.	40x40x24 cm / 20
AET (EU) N°2777/10786-03/E01-01	<b>Satra Technology Europe Ltd., N° 2777,</b> Bracetown Business Park, Clonee, Dublin, D15YN2P, Ireland
MODULE D FI14/14003.01	<b>SGS Fimko Oy, N°0598</b> Takomotie 8, 00380 HELSINKI, Finland
AET (UKCA) N°AB0321/16036-01/E01-01	<b>Satra Technology Centre, N°0321</b> Wyndham Way, Telford Way, Kettering Northamptonshire, NN16 8SD, United Kingdom
MODULE D 11 IN14/14003	<b>SGS United Kingdom Ltd., N°0120</b> Unit 202B, Worle Parkway, Weston-super-Mare, BS22 6WA, United Kingdom