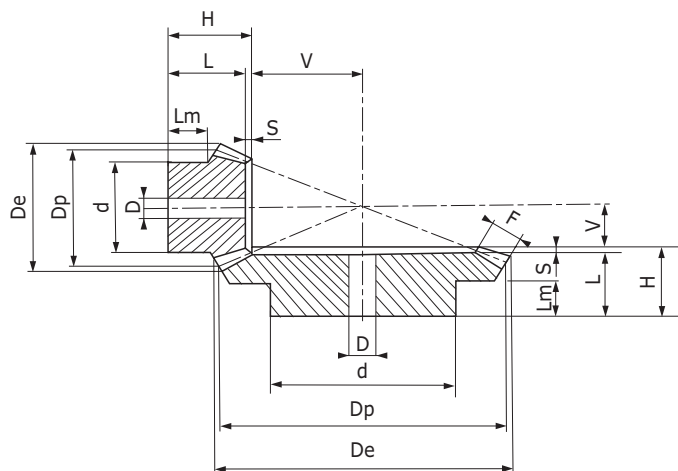
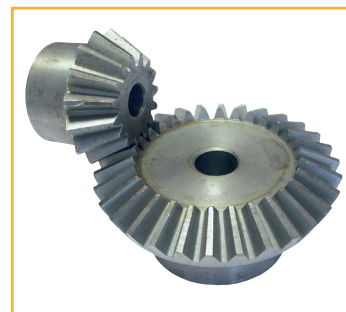
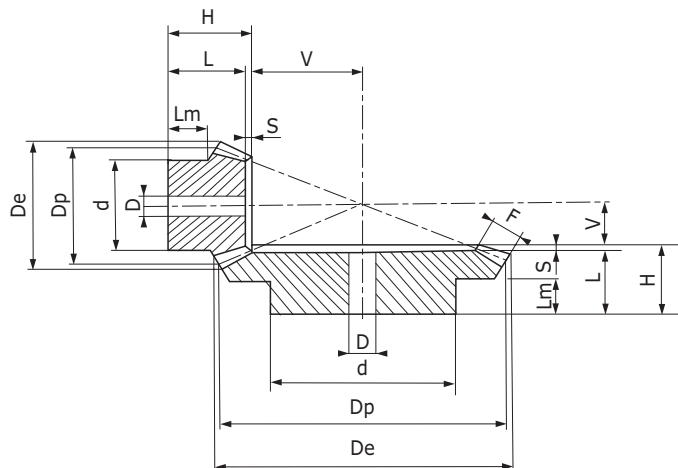


Matière :
Acier C43 UNI 7847
Angle de pression : 20°



RAPPORT 1/1													
Module	Référence	Z	De	Dp	H	F	d	D	V	L	Lm	S	Kg
1.5	CCA 15 1616	16 / 16	26.1	24.0	18.9	6	20.3	8	7.10	19.9	12	2	0.03
	CCA 15 2020	20 / 20	32.1	30.0	20.0	10	22	10	7.40	18	8.5	2	0.05
	CCA 15 2525	25 / 25	39.6	37.5	23.0	10	28	10	11.09	21	12	2	0.10
	CCA 15 2222	22 / 22	35.1	33.0	20.0	10	25	10	10.20	18	9.7	2	0.07
	CCA 15 3030	30 / 30	47.1	45.0	25.0	12	30	12	13.35	22.5	12	2.5	0.15
2	CCA 20 1616	16 / 16	34.8	32.0	23.5	8	25.3	10	9.50	20.5	14	3	0.06
	CCA 20 2020	20 / 20	42.8	40.0	25.0	12	32	10	10.78	22	12	3	0.14
	CCA 20 2222	22 / 22	46.8	44.0	25.0	12	36	10	12.70	22	11.7	3	0.20
	CCA 20 2525	25 / 25	52.8	50.0	28.0	14	40	12	14.28	25	12.3	3	0.25
	CCA 20 3030	30 / 30	62.8	60.0	30.0	16	50	12	17.78	27	12.8	3	0.41
2.5	CCA 25 1616	16 / 16	43.5	40.0	28.1	10	30.3	12	11.90	25.1	15	3.5	0.13
	CCA 25 2020	20 / 20	53.5	50.0	30.5	12	40	12	15.43	27	16	3.5	0.27
	CCA 25 2222	22 / 22	58.5	55.0	30.5	12	45	12	17.80	27	15.9	3.5	0.37
	CCA 25 2525	25 / 25	66.0	62.5	33.5	15	50	15	19.48	30	16	3.5	0.47
	CCA 25 3030	30 / 30	78.5	75.0	35.5	18	55	15	23.63	32	16	3.5	0.69
3	CCA 30 1616	16 / 16	52.2	48.0	31.7	12	40.3	15	14.30	28	18	4	0.24
	CCA 30 2020	20 / 20	64.2	60.0	35.0	18	45	15	16.00	31	13.6	4	0.41
	CCA 30 2222	22 / 22	70.2	66.0	35.0	18	50	15	19.00	31	13	4	0.53
	CCA 30 2525	25 / 25	79.2	75.0	38.0	20	55	15	22.00	34	16	4	0.72
	CCA 30 3030	30 / 30	94.2	90.0	40.0	22	60	20	28.00	36	17	4	0.99
3.5	CCA 35 1616	16 / 16	60.9	56.0	36.4	14	45.3	15	16.60	32	20	4.5	0.38
	CCA 35 2020	20 / 20	74.9	70.0	40.5	22	55	15	18.13	36	17	4.5	0.68
	CCA 35 2222	22 / 22	81.9	77.0	40.5	22	60	15	21.5	36	18	4.5	0.93
	CCA 35 2525	25 / 25	92.4	87.5	43.5	26	65	20	23.97	39	18	4.5	1.10
	CCA 35 3030	30 / 30	109.9	105.0	48.0	30	70	20	30.02	43.5	19	4.5	1.61
4	CCA 40 1616	16 / 16	69.6	64.0	44.3	15	50.3	15	19.70	39.8	25	5	0.52
	CCA 40 2020	20 / 20	85.6	80.0	43.0	25	60	18	20.74	38	18	5	0.90
	CCA 40 2222	22 / 22	93.6	88.0	43	25	65	18	24.10	38	18	5	1.15
	CCA 40 2525	25 / 25	105.6	100.0	45.0	28	70	20	28.50	40	18	5	1.45
	CCA 40 3030	30 / 30	125.6	120.0	48.0	32	80	25	35.67	43	16	5	2.66
4.5	CCA 45 1616	16 / 16	78.3	72.0	46.3	18	55.3	18	21.70	41.3	25	6	0.73
	CCA 45 2020	20 / 20	96.3	90.0	48.0	28	65	20	23.41	42	18	6	1.25
	CCA 45 2222	22 / 22	105.3	93.0	48	28	70	20	27.80	42	18	6	1.75
	CCA 45 2525	25 / 25	118.8	112.5	50.0	32	75	20	31.76	44	18	6	2.04
	CCA 45 3030	30 / 30	141.3	135.0	53.0	35	90	25	40.82	47	17	6	3.24
5	CCA 50 1616	16 / 16	87.0	80.0	48.9	18	60.3	20	25.10	42.9	25	6.5	0.94
	CCA 50 2020	20 / 20	107.1	100.0	50.5	30	70	20	26.86	44	18.5	6.5	1.61
	CCA 50 2222	22 / 22	117.1	110.0	50.5	30	80	20	31.70	44	18.5	6.5	2.35
	CCA 50 2525	25 / 25	132.1	125.0	53.5	34	90	20	36.36	47	18	6.5	2.94
	CCA 50 3030	30 / 30	157.1	150.0	56.5	38	110	30	45.97	50	18	6.5	4.46

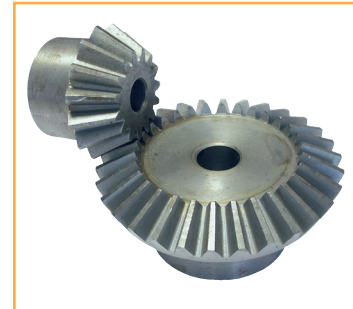
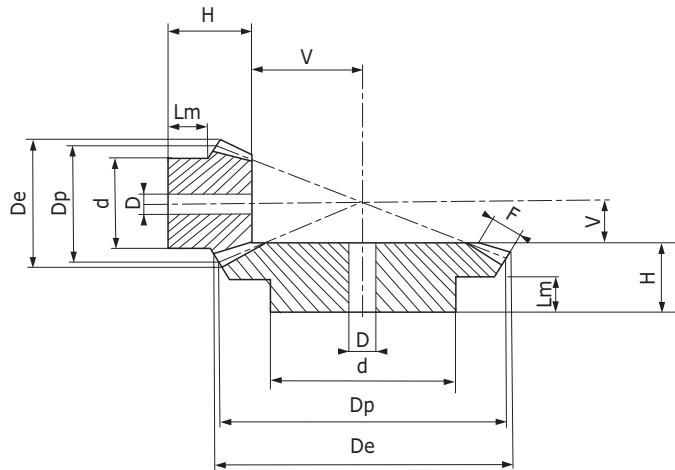


RAPPORT 1/2													
Module	Référence	Z	De	Dp	H	F	d	D	V	L	Lm	S	Kg
1.5	CCA 15 1632	16	26.7	24.0	19.5	8	21	10	16.33	18	11.3	1.5	0.04
		32	49.3	48.0	20.0	8	32	12	7.45	17	10.0	3	0.14
2	CCA 20 1632	16	35.6	32.0	23.0	10	26	10	22.41	21	12.2	2	0.09
		32	65.8	64.0	25.0	10	40	12	10.21	21	10.0	4	0.14
2.5	CCA 25 1632	16	44.4	40.0	27.5	12	34	12	28.38	25	14.4	2.5	0.16
		32	82.2	80.0	25.0	12	50	15	14.10	20	10.0	5	0.59
3	CCA 30 1632	16	53.4	48.0	28.0	15	40	15	33.64	25	11.6	3	0.23
		32	98.7	96.0	30.0	15	60	15	15.31	24	10.0	6	1.05
3.5	CCA 35 1632	16	62.3	56.0	33.5	18	48	15	38.83	30	14.4	3.5	0.40
		32	115.1	112.0	31.0	18	70	20	17.77	24	10.0	7	1.57
4	CCA 40 1632	16	71.1	64.0	36.0	20	50	20	44.81	32	13.4	4	0.49
		32	131.6	128.0	32.0	20	80	20	20.42	24	10.0	8	2.29
4.5	CCA 45 1632	16	80.1	72.0	39.5	22	60	20	51.00	35	15.4	4.5	0.75
		32	148.0	144.0	36.0	22	90	25	23.21	27	10.0	9	2.99
5	CCA 50 1632	16	88.9	80.0	50.0	25	60	20	56.06	45	21.1	5	1.07
		32	164.5	160.0	38.0	25	100	25	25.52	28	10.0	10	3.95

RAPPORT 1/3													
Module	Référence	Z	De	Dp	H	F	d	D	V	L	Lm	S	Kg
1.5	CCA 15 1648	16	26.9	24.0	24.0	12	20	10	22.44	23	11.7	1.0	0.04
		48	72.9	72.0	20.0	12	50	15	7.27	17	10.0	3.0	0.31
2	CCA 20 1648	16	35.8	32.0	28.5	15	26	12	33.26	27	12.4	1.5	0.08
		48	97.3	96.0	23.0	15	60	15	9.90	19	10.0	4.0	0.67
2.5	CCA 25 1648	16	44.7	40.0	32.0	18	32	12	42.41	30	13.0	2.0	0.15
		48	121.6	120.0	26.0	18	70	20	13.23	21	10.0	5.0	1.22
3	CCA 30 1648	16	53.7	48.0	32.0	18	40	15	54.25	30	12.1	2.0	0.27
		48	145.9	144.0	29.0	18	80	20	16.20	23	10.0	6.0	2.01
3.5	CCA 35 1648	16	62.6	56.0	38.0	22	48	15	62.29	35.5	15.0	2.5	0.45
		48	170.2	168.0	31.0	22	90	20	18.48	24	10.0	7.0	3.08
4	CCA 40 1648	16	71.6	64.0	41.5	25	55	20	71.23	38.8	15.2	3.0	0.67
		48	194.5	192.0	33.0	25	100	22	21.20	25	10.0	8.0	4.40
4.5	CCA 45 1648	16	80.6	72.0	53.0	28	60	20	80.27	50	23.4	3.0	1.05
		48	218.6	216.0	49.0	28	100	25	23.93	40	18.0	9.0	7.23
5	CCA 50 1648	16	89.5	80.0	60.0	35	60	20	85.61	57	22.5	3.0	1.38
		48	243.1	240.0	50.0	35	150	28	25.45	40	20.0	10.0	8.72

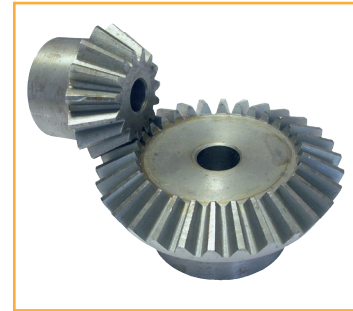
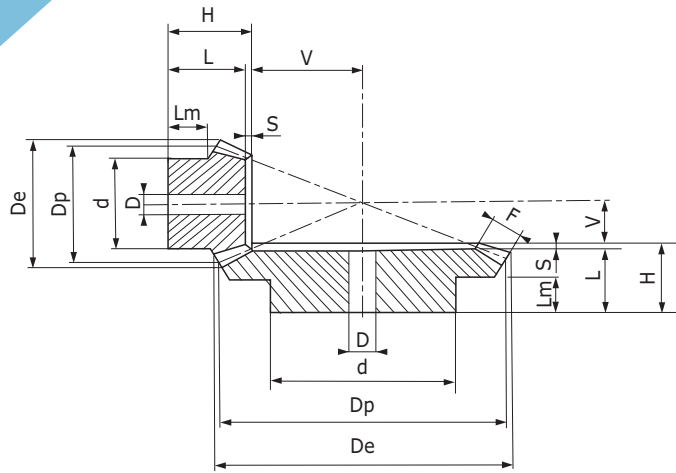
RAPPORT 1/4													
Module	Référence	Z	De	Dp	H	F	d	D	V	L	Lm	S	Kg
1.5	CCA 15 1664	16	26.9	24.0	25.0	12	18	10	36.02	24	12.2	1	0.04
		64	96.7	96.0	22.0	12	70	15	8.53	19	10.0	3	0.75
2	CCA 20 1664	16	35.9	32.0	24.0	15	25	12	49.07	23	8.2	1	0.08
		64	129.0	128.0	24.0	15	80	20	11.79	20	10.0	4	1.35
2.5	CCA 25 1664	16	44.9	40.0	30.5	18	30	15	61.99	26	8.2	1.5	0.18
		64	161.2	160.0	29.0	18	90	20	13.77	24	10.0	5	2.70
3	CCA 30 1664	16	53.8	48.0	34.0	22	40	15	74.05	32	11.0	2	0.29
		64	193.5	192.0	30.0	22	100	20	16.41	24	10.0	6	4.12
3.5	CCA 35 1664	16	62.8	56.0	45.0	25	48	15	87.13	43	19.1	2	0.48
		64	225.7	224.0	50.0	25	100	25	19.32	43	22.0	7	7.53
4	CCA 40 1664	16	71.7	64.0	50.0	30	50	20	98.21	48	18.5	2	0.75
		64	257.9	256.0	50.0	30	120	28	21.72	42	20.0	8	10.66
4.5	CCA 45 1664	16	80.7	72.0	53.0	32	55	20	112.08	50.5	19.0	2.5	1.12
		64	290.1	288.0	53.0	32	130	30	24.83	44	23.0	9	13.80
5	CCA 50 1664	16	89.7	80.0	58.0	35	60	20	125.06	55.5	20.6	2.5	1.49
		64	322.4	320.0	58.0	35	150	30	27.65	48	25.0	2.5	16.94

Matière :
Acier C43 UNI 7847
Angle de pression : 20°



RAPPORT 1/1											
Module	Référence	Z	De	Dp	H	F	d	D	V	Lm	Kg
1	CCB 10 1616	16 / 16	17.4	16.0	11.2	4	13.3	4	4.8	6.5	0.02
	CCB 10 1919	19 / 19	20.4	19.0	11.8	4	15.3	4	6.2	6.5	0.02
	CCB 10 2222	22 / 22	23.4	22.0	12.8	4.7	16.3	5	7.2	6.5	0.02
	CCB 10 2626	26 / 26	27.4	26.0	13.3	5.5	20.3	5	8.7	7	0.04
	CCB 10 3030	30 / 30	31.4	30.0	16.0	4	20.3	5	10.0	8	0.05
1.5	CCB 15 1616	16 / 16	26.1	24.0	18.9	6	20.3	8	7.1	12	0.04
	CCB 15 1919	19 / 19	30.6	28.5	21.3	7	20.3	8	8.7	12	0.05
	CCB 15 2222	22 / 22	35.1	33.0	22.5	7.5	25.3	8	10.5	12	0.09
	CCB 15 2626	26 / 26	41.1	39.0	23.2	8.5	28.3	8	12.8	12	0.12
	CCB 15 3030	30 / 30	47.1	45.0	27.2	10	30.3	12	14.8	12	0.17
2	CCB 20 1616	16 / 16	34.8	32.0	23.5	8	25.3	8	9.5	14	0.08
	CCB 20 1919	19 / 19	40.8	38.0	24.2	9	25.3	8	11.8	12	0.11
	CCB 20 2222	22 / 22	46.8	44.0	27.9	10	30.3	12	14.1	14	0.18
	CCB 20 2626	26 / 26	54.8	52.0	31.4	12	35.3	12	16.6	14	0.28
	CCB 20 3030	30 / 30	62.8	60.0	34.1	13	40.3	14	19.9	17	0.41
2.5	CCB 25 1616	16 / 16	43.5	40.0	28.1	10	30.3	12	11.9	15	0.14
	CCB 25 1919	19 / 19	51.0	47.5	27.1	11	35.3	12	14.9	13	0.21
	CCB 25 2222	22 / 22	58.5	55.0	30.1	12	45.3	16	17.9	16	0.36
	CCB 25 2626	26 / 26	68.5	65.0	33.2	15	45.3	16	20.8	16	0.47
	CCB 25 3030	30 / 30	78.5	75.0	39.0	16	50.3	16	25.0	20	0.74
3	CCB 30 1616	16 / 16	52.5	48.0	31.7	12	40.3	12	14.3	18	0.28
	CCB 30 1919	19 / 19	61.2	57.0	36.0	13	40.3	14	18.0	17	0.39
	CCB 30 2222	22 / 22	70.2	66.0	36.9	15	50.3	16	21.1	17	0.59
	CCB 30 2626	26 / 26	82.2	78.0	38.4	17	50.3	16	25.6	18	0.77
	CCB 30 3030	30 / 30	94.2	90.0	43.8	19	60.3	20	30.2	22	1.19
3.5	CCB 35 1616	16 / 16	60.9	56.0	36.4	14	45.3	16	16.6	20	0.41
	CCB 35 1919	19 / 19	71.5	66.5	37.8	15	50.3	18	21.0	19	0.59
	CCB 35 2222	22 / 22	81.9	77.0	39.1	17	55.3	20	24.9	18	0.84
	CCB 35 2626	26 / 26	96.0	91.0	43.35	20	62.3	20	29.7	20	1.17
	CCB 35 3030	30 / 30	110.0	105.0	47.1	23	70.3	20	34.9	22	1.69
4	CCB 40 1616	16 / 16	69.7	64.0	44.3	15	50.3	16	19.7	25	0.66
	CCB 40 1919	19 / 19	81.7	76.0	44.4	18	55.3	20	23.6	22	0.88
	CCB 40 2222	22 / 22	93.7	88.0	45.9	20	60.3	20	28.1	22	1.21
	CCB 40 2626	26 / 26	109.7	104.0	48.0	25	70.3	20	34.0	22	1.68
	CCB 40 3030	30 / 30	125.7	120.0	54.2	26	80.3	25	39.8	25	2.50
4.5	CCB 45 1616	16 / 16	78.4	72.0	46.3	17.5	55.3	20	21.7	25	0.84
	CCB 45 1919	19 / 19	91.8	85.5	49.0	20	62.3	20	26.57	25	1.15
	CCB 45 2222	22 / 22	105.3	99.0	50.1	22	70.3	20	31.9	25	1.72
	CCB 45 2626	26 / 26	123.0	117.0	54.7	25	75.3	20	38.6	26	2.22
	CCB 45 3030	30 / 30	141.4	135.0	60.0	29	80.3	25	45.0	28	3.25
5	CCB 50 1616	16 / 16	87.1	80.0	48.9	18	60.3	20	25.1	25	1.10
	CCB 50 1919	19 / 19	102.1	95.0	52.2	22	60.3	20	29.8	25	1.50
	CCB 50 2222	22 / 22	117.1	110.0	58.2	24	80.3	25	35.8	30	2.39
	CCB 50 2626	26 / 26	137.1	130.0	62.7	29	80.3	25	42.3	30	3.27
	CCB 50 3030	30 / 30	157.1	150.0	68.9	32	80.3	30	50.1	35	4.13

Matière :
Acier C43 UNI 7847
Angle de pression : 20°



RAPPORT 1/2													
Module	Référence	Z	De	Dp	H	F	d	D	V	L	Lm	S	Kg
1	CCB 10 1530	15	17.4	15.0	11.9	5	13.3	4	10.1	-	6.5	-	0.02
		30	30.6	30.0	15.1	5	20.3	5	4.9	13.7	9.0	1.4	0.05
1.5	CCB 15 1530	15	26.1	22.5	21.1	9	19.3	8	13.9	-	11.9	-	0.04
		30	45.9	45.0	25.2	9	32.3	8	6.8	23.0	16.0	2.2	0.17
2	CCB 20 1530	15	34.8	30.0	26.0	11.5	25.3	8	19.0	-	14.1	-	0.09
		30	61.2	60.0	29.8	11.5	40.3	14	9.2	26.8	18.0	3.0	0.32
2.5	CCB 25 1530	15	43.5	37.5	31.8	15	32.3	12	23.2	-	16.2	-	0.17
		30	76.5	75.0	33.7	15	45.3	16	11.3	30.0	20.0	3.7	0.50
3	CCB 30 1530	15	52.2	45.0	37.3	17	40.3	12	28.7	-	19.9	-	0.33
		30	91.8	90.0	42.1	17	55.3	16	13.9	38.0	25.0	4.1	0.96
3.5	CCB 35 1530	15	60.9	52.5	46.1	20.5	45.3	16	32.9	-	24.7	-	0.50
		30	107.1	105.0	45.0	20.5	60.3	20	16.0	40.0	25.0	5.0	1.31
4	CCB 40 1530	15	69.6	60.0	48.6	22.5	50.3	20	38.4	-	24.6	-	0.65
		30	122.3	120.0	57.3	22.5	80.3	25	18.7	51.9	35.0	5.4	2.52
4.5	CCB 45 1530	15	78.3	67.5	51.4	26	60.3	20	42.6	-	24.7	-	0.97
		30	137.6	135.0	60.3	26	80.3	30	20.7	54.3	35.0	6.0	2.95
5	CCB 50 1530	15	87.0	75.0	57.6	30	60.3	25	46.4	-	25.3	-	1.23
		30	152.9	150.0	62.5	30	80.3	30	22.5	56.0	35.0	6.5	3.56

RAPPORT 1/3													
Module	Référence	Z	De	Dp	H	F	d	D	V	L	Lm	S	Kg
1	CCB 10 1545	15	17.7	15.0	16.6	7.1	13.3	4	15.4	-	9.2	-	0.02
		45	45.3	45.0	17.1	7.1	25.3	8	4.9	15.2	10.0	1.9	0.09
1.5	CCB 15 1545	15	26.5	22.5	22.6	10.5	19.3	8	23.4	-	11.7	-	0.04
		45	68.1	67.5	29.6	10.5	45.3	14	7.4	34.6	20.0	2.4	0.40
2	CCB 20 1545	15	35.4	30.0	28.9	14.0	25.3	8	31.1	-	14.2	-	0.11
		45	90.8	90.0	32.1	14.0	45.3	16	9.9	28.4	20.0	3.7	0.62
2.5	CCB 25 1545	15	44.1	37.5	34.6	18.0	32.3	12	38.4	-	15.9	-	0.20
		45	113.4	112.5	39.7	18.0	60.3	20	12.3	35.3	25.0	4.4	1.23
3	CCB 30 1545	15	53.0	45.0	41.3	21.0	40.3	16	46.7	-	19.7	-	0.35
		45	136.1	135.0	47.2	21.0	60.3	25	14.8	42.0	30.0	5.2	1.83
3.5	CCB 35 1545	15	61.9	52.5	49.6	23.5	45.3	20	55.4	-	25.0	-	0.57
		45	158.8	157.5	54.4	23.5	80.3	25	17.6	48.6	35.0	5.8	3.21
4	CCB 40 1545	15	70.7	60.0	54.3	27.5	50.3	20	62.7	-	25.4	-	0.75
		45	181.5	180.0	57.0	27.5	80.3	30	20.0	50.5	35.0	6.5	2.53
4.5	CCB 45 1545	15	79.5	67.5	55.2	28.5	55.3	25	72.8	-	24.8	-	1.02
		45	204.2	202.5	63.9	28.5	90.3	30	23.1	57.0	40.0	6.9	5.70
5	CCB 50 1545	15	88.4	75.0	65.3	33.0	60.3	25	79.7	-	30.0	-	1.47
		45	226.9	225.0	66.7	33.0	90.3	30	25.3	59.2	40.0	7.5	7.22

RAPPORT 1/4													
Module	Référence	Z	De	Dp	H	F	d	D	V	L	Lm	S	Kg
1	CCB 10 1560	15	17.8	15.0	17.2	9.3	13.3	4	20.8	-	7.7	-	0.02
		60	60.3	60.0	17.1	9.3	30.3	8	4.9	15.2	10	1.9	0.16
1.5	CCB 15 1560	15	26.7	22.5	23.0	11	20.3	8	34.0	-	11.7	-	0.05
		60	90.4	90.0	34.0	11	50.3	16	8.0	31.2	25	2.8	0.63
2	CCB 20 1560	15	35.6	30.0	31.0	16	25.3	8	44.0	-	14.4	-	0.12
		60	120.6	120.0	37.6	16	60.3	16	10.4	34.2	25	3.4	1.28
2.5	CCB 25 1560	15	44.5	37.5	38.1	19	32.3	14	55.9	-	18.4	-	0.21
		60	150.7	150.0	44.8	19	60.3	20	13.2	40.0	30	4.8	1.92
3	CCB 30 1560	15	53.3	45.0	48.1	23	40.3	16	66.9	-	24.5	-	0.42
		60	180.0	100.8	53.2	23	80.3	25	15.8	48.2	35	5.0	3.75
3.5	CCB 35 1560	15	62.2	52.5	52.1	26	45.3	20	78.9	-	25.1	-	0.62
		60	211.0	210.0	60.4	26	90.3	30	18.6	54.4	40	6.0	5.60
4	CCB 40 1560	15	71.1	60.0	55.1	30	50.3	20	89.9	-	23	-	0.81
		60	241.1	240.0	60.8	30	90.3	30	21.2	53.0	40	7.8	6.43
4.5	CCB 45 1560	15	79.97	67.5	57.0	32	52.3	20	102.9	-	23	-	1.17
		60	271.24	270.0	62.0	32	90.3	30	24.3	53.5	40	8.5	11.30
5	CCB 50 1560	15	88.8	75.0	62.0	34	55.3	20	115.7	-	25	-	1.85
		60	301.3	300.0	65.0	34	90.3	30	27.0	55.0	40	10.0	16.51