



Wire draw encoders  
Wire draw encoders , HighLine

BTF08-P1HM0241



**Type produit** > [BTF08-P1HM0241](#)  
**Numéro de commande** > [1034305](#)



#### At a glance

- Absolute wire draw encoder
- Modular measuring system with a wide selection of interfaces/measured lengths
- Measured lengths: 2 m ... 50 m
- Highly robust system (dirt wipers, integrated brushes), high resistance to shocks and vibrations
- Premium quality winding mechanism and wire inlet
- Interfaces: - ANALOG, SSI, PROFIBUS, CANopen, DeviceNet, HIPERFACE®
- High enclosure rating
- High resolution possible

#### Your benefits

- Reliable solution for use in harsh environmental conditions
- Long service life due to robust industrial housing
- Fast and simple installation with no need for precise linear guidance
- Low integration and maintenance costs
- Customization options for lower storage costs
- No reference run necessary due to absolute measuring principle



#### Caractéristiques

Plage de mesure:	0 m ... 2 m
Interface électrique:	10 V ... 32 V, PROFIBUS
Raccordement:	Adaptateur

#### Performance

Linéarité:	Typ. 0,05 %
Pas de mesure:	0,025 mm
Répétabilité:	± 1 Pas de mesure
Vitesse de déplacement:	4 m/s
Configuration:	Bei kundenseitiger Konfiguration des Encoders auf 6.680 Schritte x 32 Umdrehungen über den Bus-Master, Eintrag ab Werk in GSD- bzw. EDS-Datei: 8.192 Schritte x 8.192 Umdrehungen

#### Données de mécanique

Mass:	1,9 kg
Measuring wire diameter:	1,35 mm
Measuring wire material:	Highly flexible stranded steel

Matériau du boîtier:	Aluminium (anodisé)
Force de retour du ressort:	6 N ... 14 N <sup>1)</sup>
Durée de vie du mécanisme de câble::	1.000.000 Cycles <sup>2) 3)</sup>
Material, spring housing:	Zinc moulé

<sup>1)</sup> These values were measured at an ambient temperature of 25 °C. There may be variations at other temperatures. <sup>2)</sup> Average values, which depend on the application <sup>3)</sup> At high operating speeds over great lengths, this figure can decrease; at slow operating speeds over short lengths, it can increase.

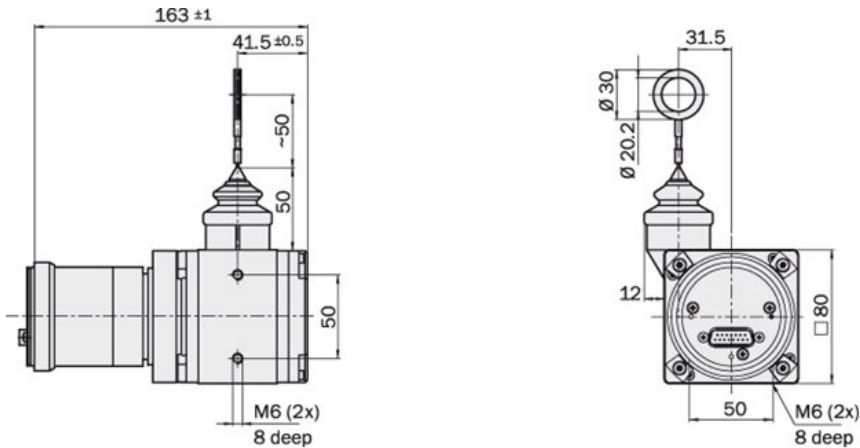
### Données de électrique

Durée d'initialisation:	1.250 ms
Temps de détermination de la position:	0,25 ms
Tension d'alimentation:	10 V ... 32 V
Puissance:	2 W

### Interfaces

SET (electronic adjustment):	PRESET push button or protocol
Address setting:	0 ... 127
Protocole:	Profile for Encoders (07hex)
Terminaison de bus:	Interrupteurs DIP
Encoder profile:	Device Profile V0 Class 2
Data transmission rate (baud rate):	9,6 kBaud ... 12 MBaud , automatic detection
Status information:	LED green (operation), LED red ( bus activity)

### Plan coté



**Australia**

Phone +61 3 9497 4100  
1800 334 802 – tollfree  
E-Mail sales@sick.com.au

**Belgium/Luxembourg**

Phone +32 (0)2 466 55 66  
E-Mail info@sick.be

**Brasil**

Phone +55 11 3215-4900  
E-Mail sac@sick.com.br

**Canada**

Phone +1(952) 941-6780  
1 800-325-7425 – tollfree  
E-Mail info@sickusa.com

**Ceská Republika**

Phone +420 2 57 91 18 50  
E-Mail sick@sick.cz

**China**

Phone +852-2763 6966  
E-Mail ghk@sick.com.hk

**Danmark**

Phone +45 45 82 64 00  
E-Mail sick@sick.dk

**Deutschland**

Phone +49 211 5301-301  
E-Mail kundenservice@sick.de

**España**

Phone +34 93 480 31 00  
E-Mail info@sick.es

**France**

Phone +33 1 64 62 35 00  
E-Mail info@sick.fr

**Great Britain**

Phone +44 (0)1727 831121  
E-Mail info@sick.co.uk

**India**

Phone +91-22-4033 8333  
E-Mail info@sick-india.com

**Israel**

Phone +972-4-999-0590  
E-Mail info@sick-sensors.com

**Italia**

Phone +39 02 27 43 41  
E-Mail info@sick.it

**Japan**

Phone +81 (0)3 3358 1341  
E-Mail support@sick.jp

**Magyarország**

Phone +36 1 371 2680  
E-Mail office@sick.hu

**Nederlands**

Phone +31 (0)30 229 25 44  
E-Mail info@sick.nl

**Norge**

Phone +47 67 81 50 00  
E-Mail austefjord@sick.no

**Österreich**

Phone +43 (0)22 36 62 28 8-0  
E-Mail office@sick.at

**Polska**

Phone +48 22 837 40 50  
E-Mail info@sick.pl

**România**

Phone +40 356 171 120  
E-Mail office@sick.ro

**Russia**

Phone +7 495 775 05 30  
E-Mail info@sick.ru

**Schweiz**

Phone +41 41 619 29 39  
E-Mail contact@sick.ch

**Singapore**

Phone +65 6744 3732  
E-Mail admin@sicksgp.com.sg

**South Africa**

Phone +27 11 472 3733  
E-Mail info@sickautomation.co.za

**South Korea**

Phone +82-2 786 6321/4  
E-Mail info@sickkorea.net

**Slovenija**

Phone +386 (0)1-47 69 990  
E-Mail office@sick.si

**Suomi**

Phone +358-9-25 15 800  
E-Mail sick@sick.fi

**Sverige**

Phone +46 10 110 10 00  
E-Mail info@sick.se

**Taiwan**

Phone +886 2 2375-6288  
E-Mail sales@sick.com.tw

**Türkiye**

Phone +90 216 528 50 00  
E-Mail info@sick.com.tr

**United Arab Emirates**

Phone +971 4 8865 878  
E-Mail info@sick.ae

**USA/México**

Phone +1(952) 941-6780  
1 800-325-7425 – tollfree  
E-Mail info@sickusa.com

More representatives and agencies  
at [www.sick.com](http://www.sick.com)