



Wire draw encoders
Wire draw encoders , HighLine

PRF13-E1AM2020



Type produit > [PRF13-E1AM2020](#)
Numéro de commande > [1034338](#)



At a glance

- Incremental wire draw encoder
- Modular measuring system with a wide selection of interfaces/measured lengths
- Measured length 2 m ... 50 m
- Highly robust system (dirt wipers, integrated brushes), high resistance to shocks and vibrations
- Premium quality winding mechanism and wire inlet
- Interfaces: - TTL/HTL
- High enclosure rating
- High resistance to shocks and vibrations

Your benefits

- Reliable solution for use in harsh environmental conditions
- Long service life due to robust industrial housing
- Fast and simple installation with no need for precise linear guidance
- Low integration and maintenance costs
- Customization options for lower storage costs



Caractéristiques

Plage de mesure:	0 m ... 20 m
Interface électrique:	10 V ... 32 V, HTL/push pull
Raccordement:	Connecteur, M23, 12 br., radial

Performance

Linéarité:	Typ. 0,05 %
Pas de mesure:	0,05 mm ¹⁾
Répétabilité:	± 1 Pas de mesure
Vitesse de déplacement:	4 m/s

1)

Données de mécanique

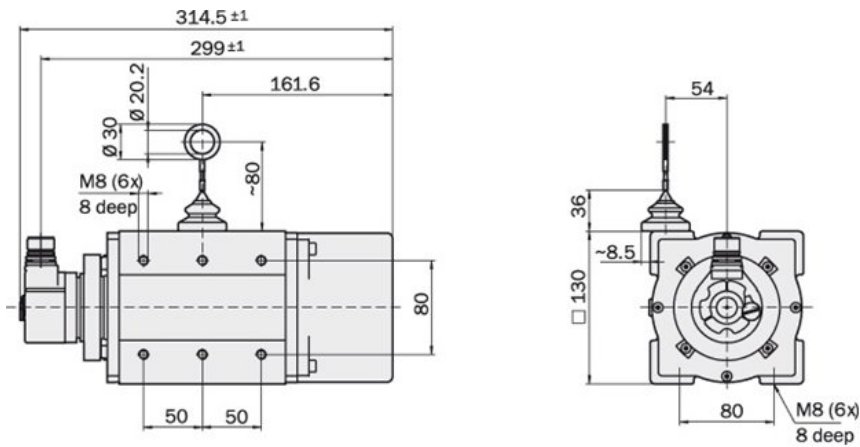
Mass:	5,3 kg
Force de retour du ressort:	10 N ... 20 N ¹⁾
Durée de vie du mécanisme de câble::	1.000.000 Cycles ^{2) 3)}

1) These values were measured at an ambient temperature of 25 °C. There may be variations at other temperatures. 2) Average values, which depend on the application 3) At high operating speeds over great lengths, this figure can decrease; at slow operating speeds over short lengths, it can increase.

Données de électrique

Durée d'initialisation:	40 ms
Tension d'alimentation:	10 V ... 32 V
Operating power consumption (no load):	100 mA
Courant de charge:	60 mA

Plan coté



Australia

Phone +61 3 9497 4100
1800 334 802 – tollfree
E-Mail sales@sick.com.au

Belgium/Luxembourg

Phone +32 (0)2 466 55 66
E-Mail info@sick.be

Brasil

Phone +55 11 3215-4900
E-Mail sac@sick.com.br

Canada

Phone +1(952) 941-6780
1 800-325-7425 – tollfree
E-Mail info@sickusa.com

Ceská Republika

Phone +420 2 57 91 18 50
E-Mail sick@sick.cz

China

Phone +852-2763 6966
E-Mail ghk@sick.com.hk

Danmark

Phone +45 45 82 64 00
E-Mail sick@sick.dk

Deutschland

Phone +49 211 5301-301
E-Mail kundenservice@sick.de

España

Phone +34 93 480 31 00
E-Mail info@sick.es

France

Phone +33 1 64 62 35 00
E-Mail info@sick.fr

Great Britain

Phone +44 (0)1727 831121
E-Mail info@sick.co.uk

India

Phone +91-22-4033 8333
E-Mail info@sick-india.com

Israel

Phone +972-4-999-0590
E-Mail info@sick-sensors.com

Italia

Phone +39 02 27 43 41
E-Mail info@sick.it

Japan

Phone +81 (0)3 3358 1341
E-Mail support@sick.jp

Magyarország

Phone +36 1 371 2680
E-Mail office@sick.hu

Nederlands

Phone +31 (0)30 229 25 44
E-Mail info@sick.nl

Norge

Phone +47 67 81 50 00
E-Mail austefjord@sick.no

Österreich

Phone +43 (0)22 36 62 28 8-0
E-Mail office@sick.at

Polska

Phone +48 22 837 40 50
E-Mail info@sick.pl

România

Phone +40 356 171 120
E-Mail office@sick.ro

Russia

Phone +7 495 775 05 30
E-Mail info@sick.ru

Schweiz

Phone +41 41 619 29 39
E-Mail contact@sick.ch

Singapore

Phone +65 6744 3732
E-Mail admin@sicksgp.com.sg

South Africa

Phone +27 11 472 3733
E-Mail info@sickautomation.co.za

South Korea

Phone +82-2 786 6321/4
E-Mail info@sickkorea.net

Slovenija

Phone +386 (0)1-47 69 990
E-Mail office@sick.si

Suomi

Phone +358-9-25 15 800
E-Mail sick@sick.fi

Sverige

Phone +46 10 110 10 00
E-Mail info@sick.se

Taiwan

Phone +886 2 2375-6288
E-Mail sales@sick.com.tw

Türkiye

Phone +90 216 528 50 00
E-Mail info@sick.com.tr

United Arab Emirates

Phone +971 4 8865 878
E-Mail info@sick.ae

USA/México

Phone +1(952) 941-6780
1 800-325-7425 – tollfree
E-Mail info@sickusa.com

More representatives and agencies
at www.sick.com