



Détecteurs de proximité inductifs Cylindrical thread design, IME08

IME08-1B5POZT0K



Type produit > [IME08-1B5POZT0K](#)
Numéro de commande > [1040841](#)



At a glance

- Precise operating distances due to ASIC technology
- Extra tough thanks to high fastener torque and hot melt adhesive
- Protection class IP 67
- Operating temperature from -25 to +75 °C
- Operating distance from 1.5 mm to 4 mm
- Size M08
- Customer-specific models available

Your benefits

- Less machine downtime
- Less mechanical damage
- Less costs due to longer service life
- High resistance to shock and vibrations



Caractéristiques

Distance de commutation Sn:	1,5 mm
Montage dans métal:	Noyable
Fréquence de commutation:	4.000 Hz
Raccordement:	Connecteur M8, 3 pôles
Sortie TOR:	PNP
Fonction de sortie:	NC
Version électrique:	CC 3 fils
Indice de protection:	IP 67 ¹⁾
Construction:	cylindrique
Fonction de commutation:	NC

¹⁾ According to EN60529

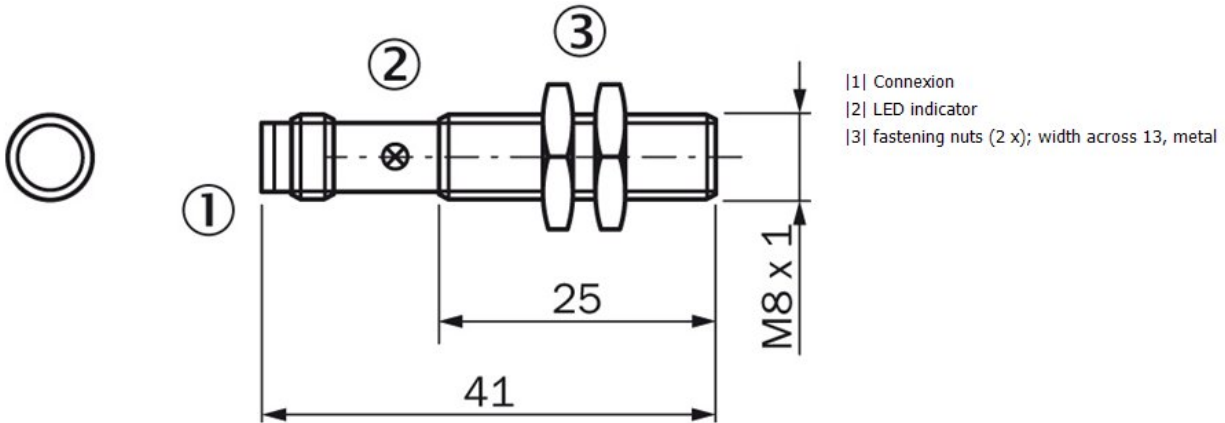
Données mécaniques et électriques

Housing length:	41 mm
Tension d'alimentation:	10 V DC ... 30 V DC
Ondulation résiduelle:	≤ 10 %
Consommation:	≤ 10 mA ¹⁾
Chute de tension:	≤ 2 V
Courant permanent IA:	≤ 200 mA

Hystérésis:	5 % ... 15 %
Répétabilité:	≤ 2 % ^{2) 3)}
Dérive de température (de sr) ::	± 10 %
CEM:	Selon EN 60 947-5-2
Protection contre les inversions de polarité:	✓
Protection contre les courts-circuits:	✓
Matériau du boîtier:	Métal, Nickel-plated brass
Housing cap:	Plastique, PA6
Suppression d'impulsion à la mise sous tension:	✓
Durée d'initialisation:	≤ 100 ms
Température de fonctionnement:	-25 °C ... 75 °C
Résistance aux chocs et aux vibrations:	30 g, 11 ms/10 ... 55 Hz, 1 mm
Max. couple de serrage:	Typ. 5 Nm
Filetage:	M8 x 1
Thread length:	25 mm

1) Sans charge ²⁾ Ub and Ta constant ³⁾ Of Sr

Plan coté



Alle Maße in mm

Type de connexion

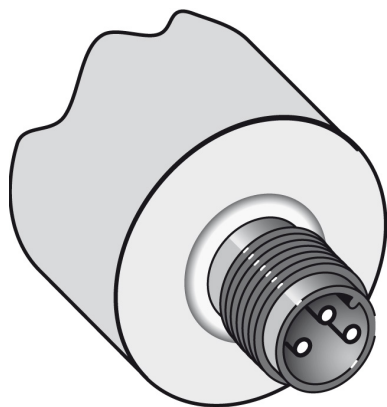
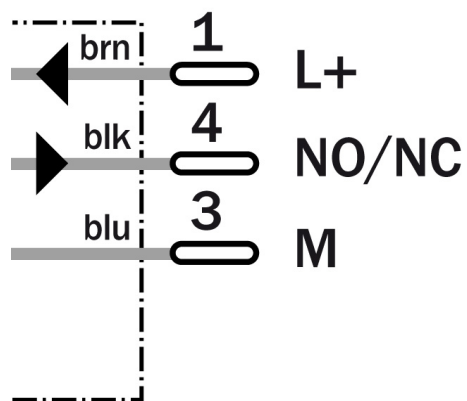


Schéma des connexions



Australia

Phone +61 3 9497 4100
1800 334 802 – tollfree
E-Mail sales@sick.com.au

Belgium/Luxembourg

Phone +32 (0)2 466 55 66
E-Mail info@sick.be

Brasil

Phone +55 11 3215-4900
E-Mail sac@sick.com.br

Canada

Phone +1(952) 941-6780
1 800-325-7425 – tollfree
E-Mail info@sickusa.com

Ceská Republika

Phone +420 2 57 91 18 50
E-Mail sick@sick.cz

China

Phone +852-2763 6966
E-Mail ghk@sick.com.hk

Danmark

Phone +45 45 82 64 00
E-Mail sick@sick.dk

Deutschland

Phone +49 211 5301-301
E-Mail kundenservice@sick.de

España

Phone +34 93 480 31 00
E-Mail info@sick.es

France

Phone +33 1 64 62 35 00
E-Mail info@sick.fr

Great Britain

Phone +44 (0)1727 831121
E-Mail info@sick.co.uk

India

Phone +91-22-4033 8333
E-Mail info@sick-india.com

Israel

Phone +972-4-999-0590
E-Mail info@sick-sensors.com

Italia

Phone +39 02 27 43 41
E-Mail info@sick.it

Japan

Phone +81 (0)3 3358 1341
E-Mail support@sick.jp

Magyarország

Phone +36 1 371 2680
E-Mail office@sick.hu

Nederlands

Phone +31 (0)30 229 25 44
E-Mail info@sick.nl

Norge

Phone +47 67 81 50 00
E-Mail austefjord@sick.no

Österreich

Phone +43 (0)22 36 62 28 8-0
E-Mail office@sick.at

Polska

Phone +48 22 837 40 50
E-Mail info@sick.pl

România

Phone +40 356 171 120
E-Mail office@sick.ro

Russia

Phone +7 495 775 05 30
E-Mail info@sick.ru

Schweiz

Phone +41 41 619 29 39
E-Mail contact@sick.ch

Singapore

Phone +65 6744 3732
E-Mail admin@sicksgp.com.sg

South Africa

Phone +27 11 472 3733
E-Mail info@sickautomation.co.za

South Korea

Phone +82-2 786 6321/4
E-Mail info@sickkorea.net

Slovenija

Phone +386 (0)1-47 69 990
E-Mail office@sick.si

Suomi

Phone +358-9-25 15 800
E-Mail sick@sick.fi

Sverige

Phone +46 10 110 10 00
E-Mail info@sick.se

Taiwan

Phone +886 2 2375-6288
E-Mail sales@sick.com.tw

Türkiye

Phone +90 216 528 50 00
E-Mail info@sick.com.tr

United Arab Emirates

Phone +971 4 8865 878
E-Mail info@sick.ae

USA/México

Phone +1(952) 941-6780
1 800-325-7425 – tollfree
E-Mail info@sickusa.com

More representatives and agencies
at www.sick.com