



## Interrupteurs de sécurité électromagnétiques Interrupteurs de position, i10R

i10-RA213



**Type produit** > [i10-RA213](#)  
**Numéro de commande** > [6025085](#)



**At a glance**

- Standardized plastic housing (EN 50047)
- Turning lever with plastic roller
- 1 cable entry gland M20 x 1.5
- Slow action switching element with three contacts

**Your benefits**

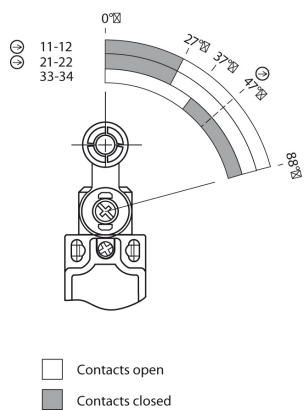
- Quick mounting due to standardized type
- Inexpensive solution for all standard requirements



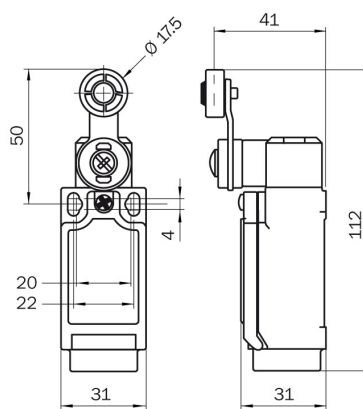
**Informations techniques**

Matériau du boîtier:	Plastique
Indice de protection:	IP 66
Température d'utilisation, de ... à:	-25 °C ... 80 °C
B10d-valeur:	2* 1E 06 commutations, with small load
Modèle d'actionneur:	Levier pivotant
Nombre de directions d'approche:	4
Vitesse d'approche:	15 m/min
Principe de commutation:	Interrupteur à ouverture lente
Nombre de contacts NF guidés:	2
Nombre de contacts NO:	1
Mechanical life:	10* 1E 06 commutations
Catégorie d'utilisation selon CEI 947-5-1:	CA-15/CC-13
Tension admissible:	3 A (240 V AC) 3 A (24 V DC)
Raccordement:	Passe-câble
Poids:	0,11 kg

## Plan de raccordement



## Plan coté



**Australia**

Phone +61 3 9497 4100  
1800 334 802 – tollfree  
E-Mail sales@sick.com.au

**Belgium/Luxembourg**

Phone +32 (0)2 466 55 66  
E-Mail info@sick.be

**Brasil**

Phone +55 11 3215-4900  
E-Mail sac@sick.com.br

**Canada**

Phone +1(952) 941-6780  
1 800-325-7425 – tollfree  
E-Mail info@sickusa.com

**Ceská Republika**

Phone +420 2 57 91 18 50  
E-Mail sick@sick.cz

**China**

Phone +852-2763 6966  
E-Mail ghk@sick.com.hk

**Danmark**

Phone +45 45 82 64 00  
E-Mail sick@sick.dk

**Deutschland**

Phone +49 211 5301-301  
E-Mail kundenservice@sick.de

**España**

Phone +34 93 480 31 00  
E-Mail info@sick.es

**France**

Phone +33 1 64 62 35 00  
E-Mail info@sick.fr

**Great Britain**

Phone +44 (0)1727 831121  
E-Mail info@sick.co.uk

**India**

Phone +91-22-4033 8333  
E-Mail info@sick-india.com

**Israel**

Phone +972-4-999-0590  
E-Mail info@sick-sensors.com

**Italia**

Phone +39 02 27 43 41  
E-Mail info@sick.it

**Japan**

Phone +81 (0)3 3358 1341  
E-Mail support@sick.jp

**Magyarország**

Phone +36 1 371 2680  
E-Mail office@sick.hu

**Nederlands**

Phone +31 (0)30 229 25 44  
E-Mail info@sick.nl

**Norge**

Phone +47 67 81 50 00  
E-Mail austefjord@sick.no

**Österreich**

Phone +43 (0)22 36 62 28 8-0  
E-Mail office@sick.at

**Polska**

Phone +48 22 837 40 50  
E-Mail info@sick.pl

**România**

Phone +40 356 171 120  
E-Mail office@sick.ro

**Russia**

Phone +7 495 775 05 30  
E-Mail info@sick.ru

**Schweiz**

Phone +41 41 619 29 39  
E-Mail contact@sick.ch

**Singapore**

Phone +65 6744 3732  
E-Mail admin@sicksgp.com.sg

**South Africa**

Phone +27 11 472 3733  
E-Mail info@sickautomation.co.za

**South Korea**

Phone +82-2 786 6321/4  
E-Mail info@sickkorea.net

**Slovenija**

Phone +386 (0)1-47 69 990  
E-Mail office@sick.si

**Suomi**

Phone +358-9-25 15 800  
E-Mail sick@sick.fi

**Sverige**

Phone +46 10 110 10 00  
E-Mail info@sick.se

**Taiwan**

Phone +886 2 2375-6288  
E-Mail sales@sick.com.tw

**Türkiye**

Phone +90 216 528 50 00  
E-Mail info@sick.com.tr

**United Arab Emirates**

Phone +971 4 8865 878  
E-Mail info@sick.ae

**USA/México**

Phone +1(952) 941-6780  
1 800-325-7425 – tollfree  
E-Mail info@sickusa.com

More representatives and agencies  
at [www.sick.com](http://www.sick.com)