



## Détecteurs de proximité inductifs

IM30-20BPS-NC1



**Type produit** > [IM30-20BPS-NC1](#)  
**Numéro de commande** > [6027582](#)



### At a glance

- Fully stainless steel housing (316L/1.4404)
- Extremely watertight (IP 68/IP 69K)
- Triple operating distance up to 40 mm
- High resistance to mechanical stress
- Especially suitable for use in hygienic and wet areas
- Not affected by aggressive cleaning agents
- Visual adjustment indicator

### Your benefits

- Less machine downtime due to tough, sturdy sensor system
- Long service life even under the most extreme ambient conditions
- Quick and easy installation thanks to adjustment indicator
- Large operating reserve due to triple operating distance
- High resistance to shock and vibrations due to all-metal sensing face
- Optimal resistance to cleaning agents
- Less costs due to longer service life



### Caractéristiques

Distance de commutation Sn:	20 mm
Montage dans métal:	Noyable
Fréquence de commutation:	100 Hz
Raccordement:	Connecteur M12, 4 pôles
Sortie TOR:	PNP
Fonction de sortie:	NO
Version électrique:	CC 3 fils
Indice de protection:	IP 68 IP 69K <sup>1)</sup>
Construction:	cylindrique

<sup>1)</sup> According to EN60529

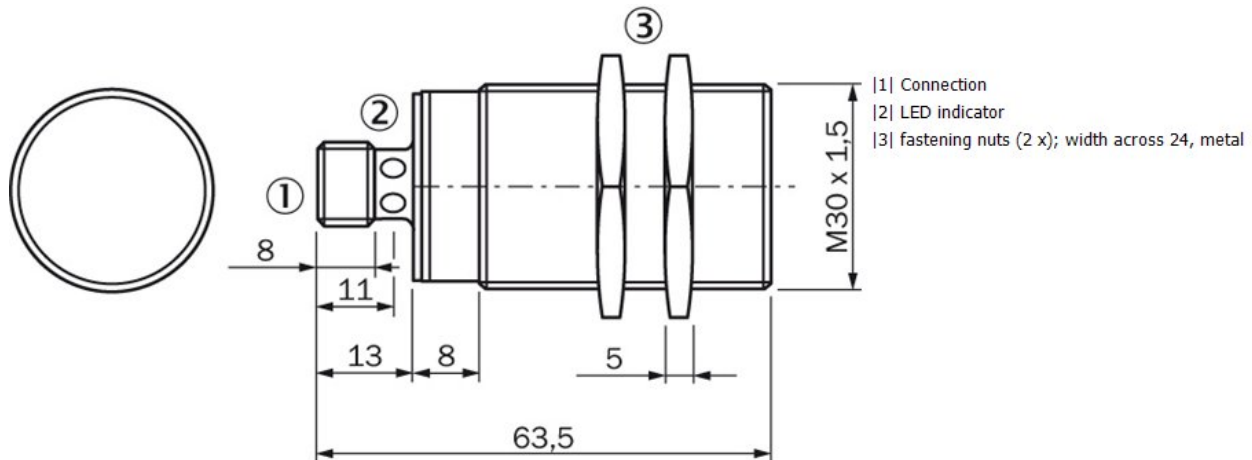
### Données mécaniques et électriques

Housing length:	63,5 mm
Tension d'alimentation:	10 V DC... 30 V DC
Ondulation résiduelle:	≤ 20 % <sup>1)</sup>

Consommation:	$\leq 10 \text{ mA}^{2)}$
Chute de tension:	$\leq 2 \text{ V}^{3)}$
Courant permanent IA:	$\leq 200 \text{ mA}$
Hystérésis:	1 % ... 15 %
Répétabilité:	$\leq 5 \%^{4) 5)}$
Dérive de température (de sr) ::	$\leq 10 \%$
CEM:	Selon EN 60 947-5-2
Protection contre les inversions de polarité:	✓
Protection contre les courts-circuits:	✓
Matériau du boîtier:	Acier inoxydable
Housing cap:	Métal
Suppression d'impulsion à la mise sous tension:	✓
Durée d'initialisation:	$\leq 40 \text{ ms}$
Température de fonctionnement:	-25 °C ... 85 °C
Résistance aux chocs et aux vibrations:	30 g, 11 ms/10 ... 55 Hz, 1 mm
Max. couple de serrage:	150 Nm
Filetage:	M30 x 1,5
Thread lenght:	42 mm

1)  $U_{of V_S}$  2) Sans charge 3)  $I_a$  max 4) 5)  $U_B = 20 \dots 30 \text{ VDC}$ ,  $T_A = 23 \text{ °C} \pm 5 \text{ °C}$

## Plan coté



Alle Maße in mm

Type de connexion

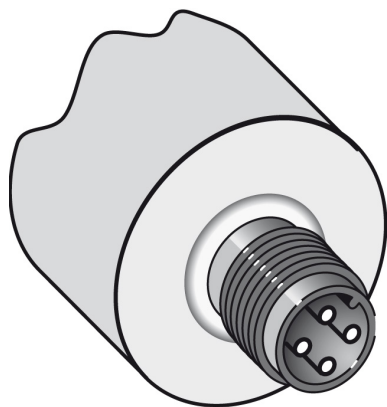
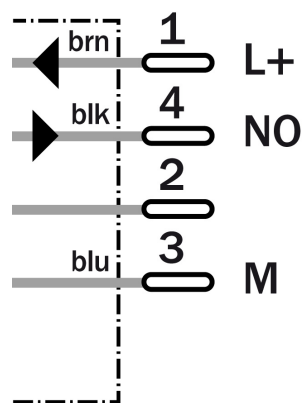


Schéma des connexions



**Australia**

Phone +61 3 9497 4100  
1800 334 802 – tollfree  
E-Mail sales@sick.com.au

**Belgium/Luxembourg**

Phone +32 (0)2 466 55 66  
E-Mail info@sick.be

**Brasil**

Phone +55 11 3215-4900  
E-Mail sac@sick.com.br

**Canada**

Phone +1(952) 941-6780  
1 800-325-7425 – tollfree  
E-Mail info@sickusa.com

**Ceská Republika**

Phone +420 2 57 91 18 50  
E-Mail sick@sick.cz

**China**

Phone +852-2763 6966  
E-Mail ghk@sick.com.hk

**Danmark**

Phone +45 45 82 64 00  
E-Mail sick@sick.dk

**Deutschland**

Phone +49 211 5301-301  
E-Mail kundenservice@sick.de

**España**

Phone +34 93 480 31 00  
E-Mail info@sick.es

**France**

Phone +33 1 64 62 35 00  
E-Mail info@sick.fr

**Great Britain**

Phone +44 (0)1727 831121  
E-Mail info@sick.co.uk

**India**

Phone +91-22-4033 8333  
E-Mail info@sick-india.com

**Israel**

Phone +972-4-999-0590  
E-Mail info@sick-sensors.com

**Italia**

Phone +39 02 27 43 41  
E-Mail info@sick.it

**Japan**

Phone +81 (0)3 3358 1341  
E-Mail support@sick.jp

**Magyarország**

Phone +36 1 371 2680  
E-Mail office@sick.hu

**Nederlands**

Phone +31 (0)30 229 25 44  
E-Mail info@sick.nl

**Norge**

Phone +47 67 81 50 00  
E-Mail austefjord@sick.no

**Österreich**

Phone +43 (0)22 36 62 28 8-0  
E-Mail office@sick.at

**Polska**

Phone +48 22 837 40 50  
E-Mail info@sick.pl

**România**

Phone +40 356 171 120  
E-Mail office@sick.ro

**Russia**

Phone +7 495 775 05 30  
E-Mail info@sick.ru

**Schweiz**

Phone +41 41 619 29 39  
E-Mail contact@sick.ch

**Singapore**

Phone +65 6744 3732  
E-Mail admin@sicksgp.com.sg

**South Africa**

Phone +27 11 472 3733  
E-Mail info@sickautomation.co.za

**South Korea**

Phone +82-2 786 6321/4  
E-Mail info@sickkorea.net

**Slovenija**

Phone +386 (0)1-47 69 990  
E-Mail office@sick.si

**Suomi**

Phone +358-9-25 15 800  
E-Mail sick@sick.fi

**Sverige**

Phone +46 10 110 10 00  
E-Mail info@sick.se

**Taiwan**

Phone +886 2 2375-6288  
E-Mail sales@sick.com.tw

**Türkiye**

Phone +90 216 528 50 00  
E-Mail info@sick.com.tr

**United Arab Emirates**

Phone +971 4 8865 878  
E-Mail info@sick.ae

**USA/México**

Phone +1(952) 941-6780  
1 800-325-7425 – tollfree  
E-Mail info@sickusa.com

More representatives and agencies  
at [www.sick.com](http://www.sick.com)