

Operating Guide

AB-QM DN 15-32 / 73694860

AB-QM DN 15-32



MAINTENANCE
FREE



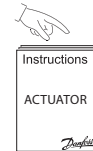
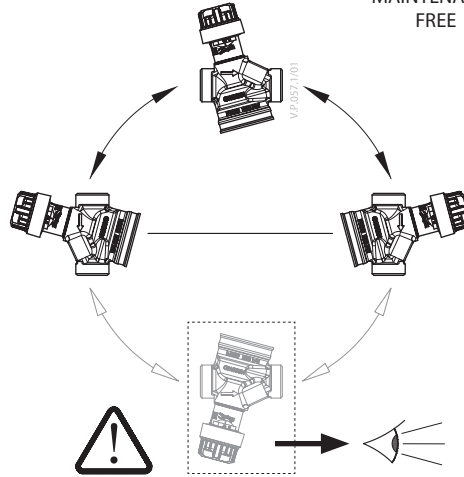
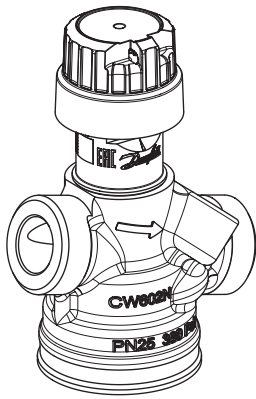
-10 ... 95°C



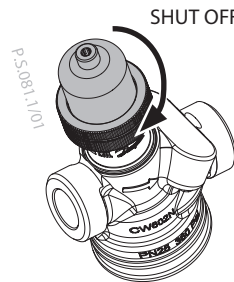
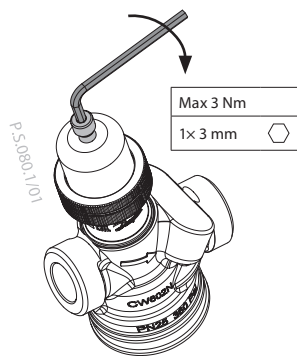
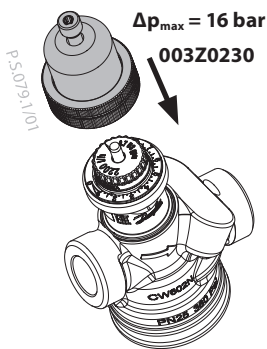
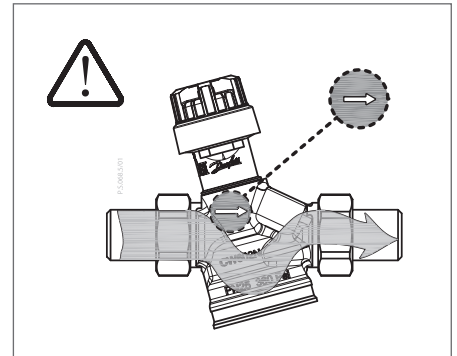
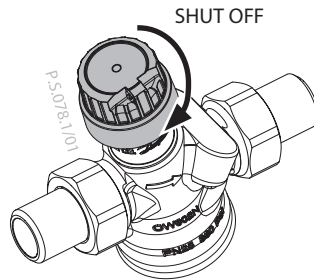
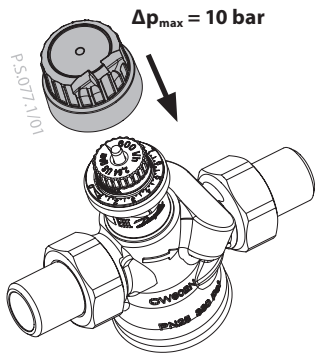
PN 25



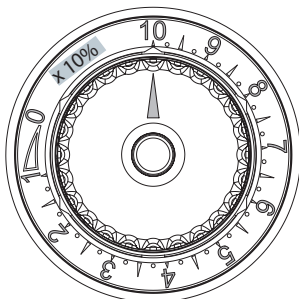
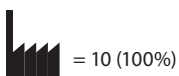
$\Delta p_{max} = 600\text{kPa}$
(6 bar)



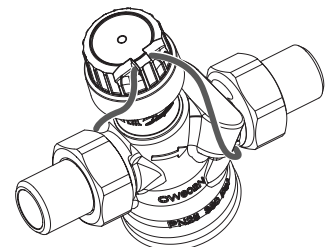
Shut-off



Setting



Locking



AB-QM DN 15-32

DN	Length		Height		Threaded	Welded
	L - ext. (mm)	L - int. (mm)	H ₁ (mm)	H ₂ (mm)	A (mm)	
15	65	75	46.6	36.7	120	139
20	82	85	66.2	43.9	143	166
25	104	104	49.9	71.8	174	188
32	130	130	64.5	73.8	207	214

DN	TWA-Q	ABNM	AME/AMV 110NL, 120 NL, AMI 140	NovoCon™	AME 13 SU
	H (mm)				
15	110.8	97.8	131.3	130.1	210.7
20	112	99	132.5	131.3	212.1
25	116	103.8	137.2	136	216.7
32	118	105.8	139.3	138	218.7

Setting	DN15 LF			DN 15			DN 15 HF			DN 20			DN 20 HF			DN 25			DN 25 HF			DN 32			DN 32 HF		
	L/h	L/s	GPM	L/h	L/s	GPM	L/h	L/s	GPM	L/h	L/s	GPM	L/h	L/s	GPM	L/h	L/s	GPM	L/h	L/s	GPM	L/h	L/s	GPM	L/h	L/s	GPM
10%	20	0.006	0.09	65	0.018	0.29	120	0.033	0.53	110	0.03	0.48	190	0.053	0.84	220	0.061	0.97	380	0.106	1.67	360	0.100	1.58	500	0.139	2.20
15%	30	0.008	0.13	98	0.027	0.43	180	0.050	0.79	165	0.05	0.73	285	0.079	1.25	330	0.092	1.45	570	0.158	2.51	540	0.150	2.38	750	0.208	3.30
20%	40	0.011	0.18	130	0.036	0.57	240	0.067	1.06	220	0.06	0.97	380	0.106	1.67	440	0.122	1.94	760	0.211	3.34	720	0.200	3.17	1000	0.278	4.40
25%	50	0.014	0.22	163	0.045	0.72	300	0.083	1.32	275	0.08	1.21	475	0.132	2.09	550	0.153	2.42	950	0.264	4.18	900	0.250	3.96	1250	0.347	5.50
30%	60	0.017	0.26	195	0.054	0.86	360	0.100	1.59	330	0.09	1.45	570	0.158	2.51	660	0.183	2.90	1140	0.317	5.02	1080	0.300	4.75	1500	0.417	6.60
35%	70	0.019	0.31	228	0.063	1.00	420	0.117	1.85	385	0.11	1.70	665	0.185	2.93	770	0.214	3.39	1330	0.369	5.85	1260	0.350	5.54	1750	0.486	7.70
40%	80	0.022	0.35	260	0.072	1.14	480	0.133	2.11	440	0.12	1.94	760	0.211	3.35	880	0.244	3.87	1520	0.422	6.69	1440	0.400	6.34	2000	0.556	8.80
45%	90	0.025	0.40	293	0.081	1.29	540	0.150	2.38	495	0.14	2.18	855	0.238	3.76	990	0.275	4.36	1710	0.475	7.52	1620	0.450	7.13	2250	0.625	9.90
50%	100	0.028	0.44	325	0.090	1.43	600	0.167	2.64	550	0.15	2.42	950	0.264	4.18	1100	0.306	4.84	1900	0.528	8.36	1800	0.500	7.92	2500	0.694	11.00
55%	110	0.031	0.48	358	0.099	1.57	660	0.183	2.91	605	0.17	2.66	1045	0.290	4.60	1210	0.336	5.32	2090	0.581	9.20	1980	0.550	8.71	2750	0.764	12.10
60%	120	0.033	0.53	390	0.108	1.72	720	0.200	3.17	660	0.18	2.91	1140	0.317	5.02	1320	0.367	5.81	2280	0.633	10.03	2160	0.600	9.50	3000	0.833	13.20
65%	130	0.036	0.57	423	0.117	1.86	780	0.217	3.43	715	0.20	3.15	1235	0.343	5.44	1430	0.397	6.29	2470	0.686	10.87	2340	0.650	10.30	3250	0.903	14.30
70%	140	0.039	0.62	455	0.126	2.00	840	0.233	3.70	770	0.21	3.39	1330	0.370	5.86	1540	0.428	6.78	2660	0.739	11.70	2520	0.700	11.09	3500	0.972	15.40
75%	150	0.042	0.66	488	0.135	2.15	900	0.250	3.96	825	0.23	3.63	1425	0.396	6.27	1650	0.458	7.26	2850	0.792	12.54	2700	0.750	11.88	3750	1.042	16.50
80%	160	0.044	0.70	520	0.144	2.29	960	0.267	4.23	880	0.24	3.87	1520	0.422	6.69	1760	0.489	7.74	3040	0.844	13.38	2880	0.800	12.67	4000	1.111	17.60
85%	170	0.047	0.75	553	0.154	2.43	1020	0.283	4.49	935	0.26	4.12	1615	0.449	7.11	1870	0.519	8.23	3230	0.897	14.21	3060	0.850	13.46	4250	1.181	18.70
90%	180	0.050	0.79	585	0.163	2.58	1080	0.300	4.76	990	0.28	4.36	1710	0.475	7.53	1980	0.550	8.71	3420	0.950	15.05	3240	0.900	14.26	4500	1.250	19.80
95%	190	0.053	0.84	618	0.172	2.72	1140	0.317	5.02	1045	0.29	4.60	1805	0.502	7.95	2090	0.581	9.20	3610	1.003	15.88	3420	0.950	15.05	4750	1.319	20.90
100%	200	0.056	0.88	650	0.181	2.86	1200	0.333	5.28	1100	0.31	4.84	1900	0.528	8.37	2200	0.611	9.68	3800	1.056	16.72	3600	1.000	15.84	5000	1.389	22.00

ИМПОРТЕР:
UA: ТОВ з ІІ «Данфосс ТОВ», вул. Вікентія Хвойки, 15/15/6, м. Київ, 04080, Україна

Danfoss A/S
 Climate Solutions • danfoss.com • +45 7488 2222

All information, including, but not limited to information on selection of product, its application or use, product design, weight, dimensions, capacity or any other technical data in product manuals, catalogues descriptions, advertisements, etc. and whether made available in writing, orally, electronically, online or via download, shall be considered informative, and is only binding if and to the extent, explicit reference is made in a quotation or order confirmation. Danfoss cannot accept any responsibility for possible errors in catalogues, brochures, videos and other material. Danfoss reserves the right to alter its products without notice. This also applies to products ordered but not delivered provided that such alterations can be made without changes to form, fit or function of the product.
 All trademarks in this material are property of Danfoss A/S or Danfoss group companies. Danfoss and the Danfoss logo are trademarks of Danfoss A/S. All rights reserved.