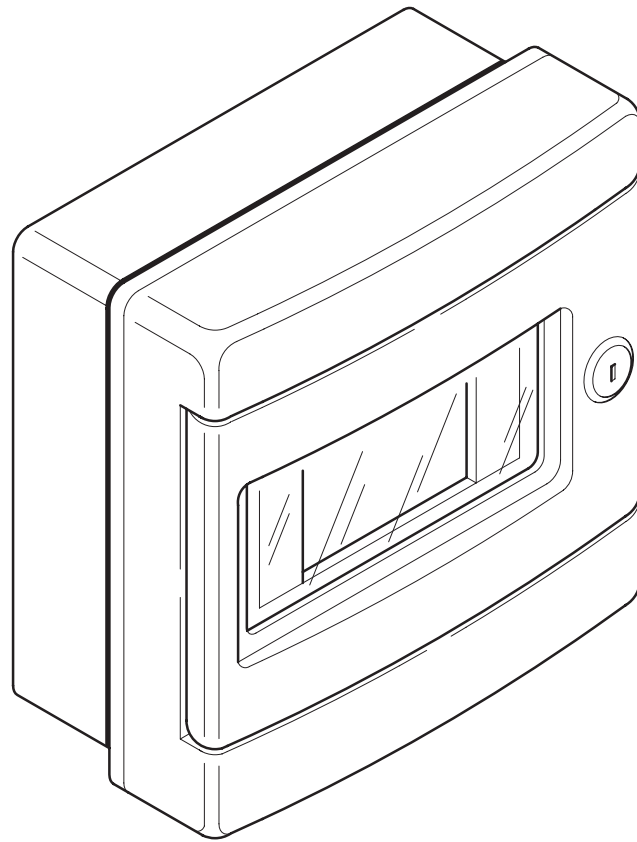
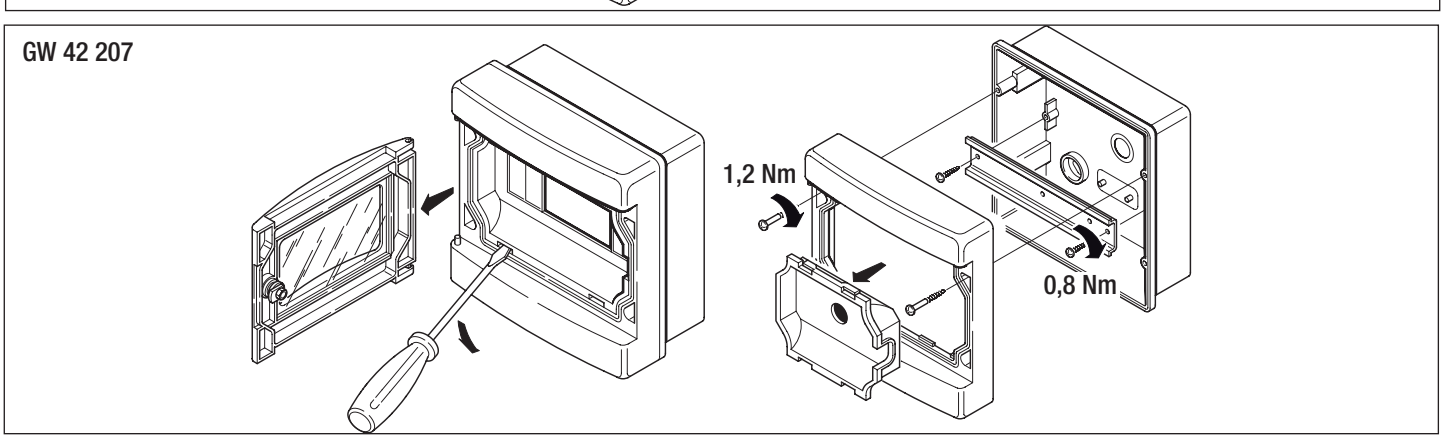
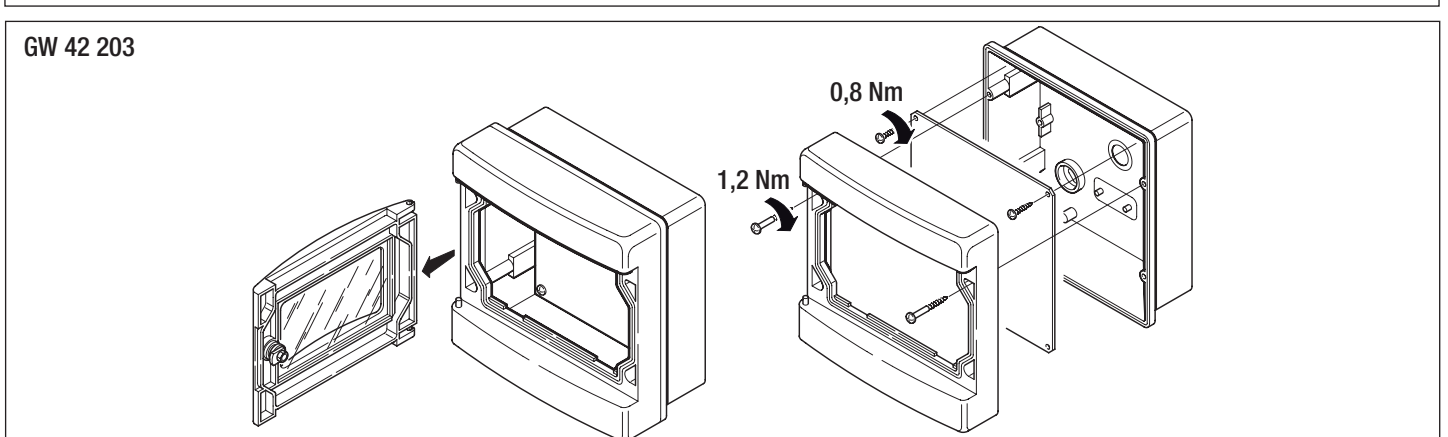
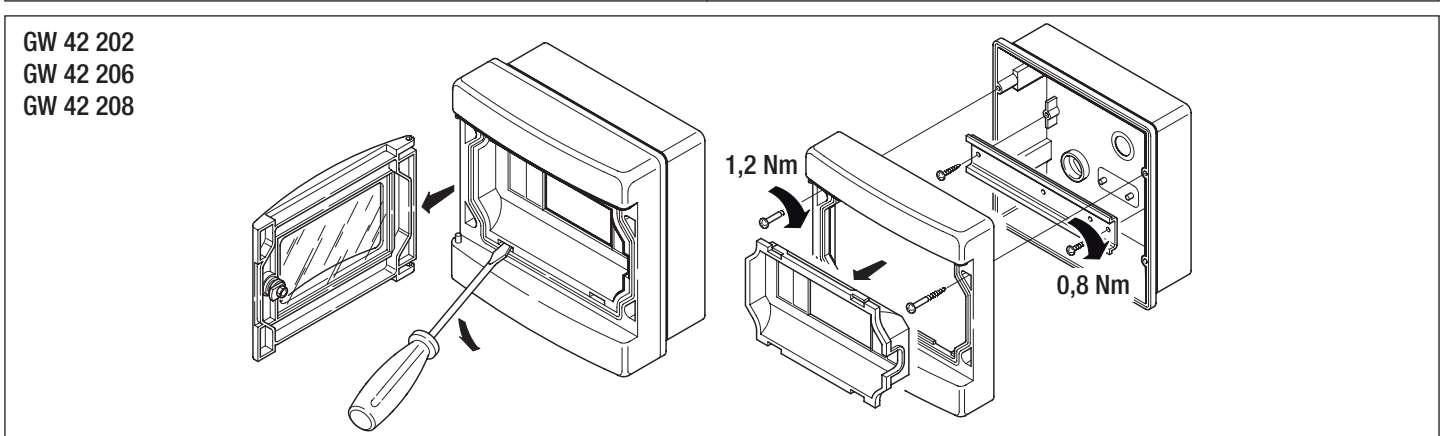
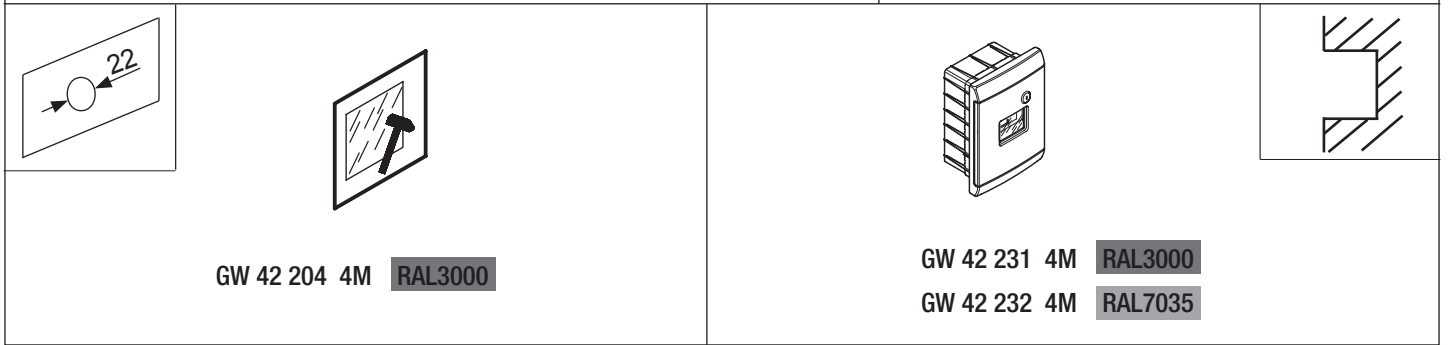
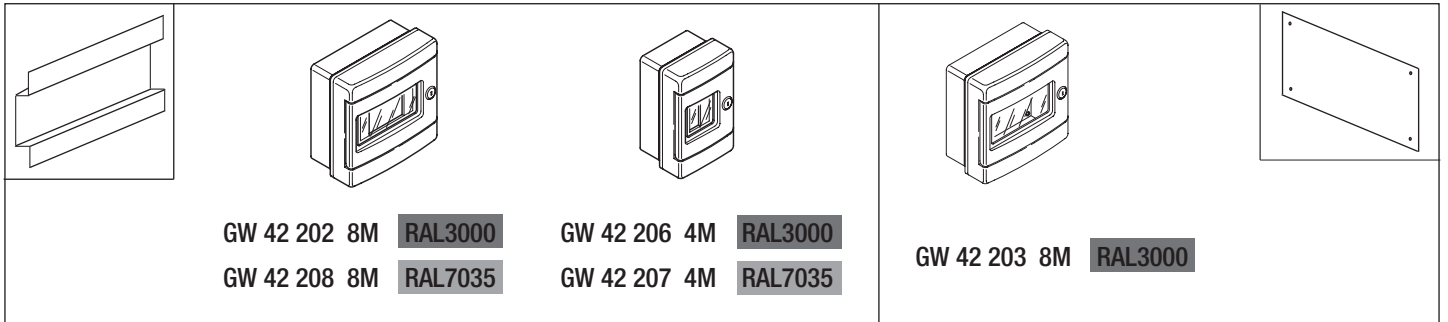




IP 55

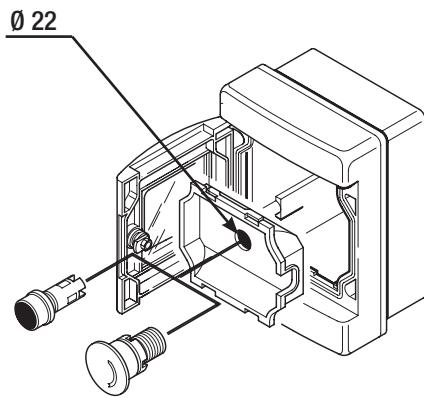


	Pde		Pde
GW 42 202	18 W	GW 42 207	12 W
GW 42 203	18 W	GW 42 208	18 W
GW 42 204	12 W	GW 42 231	12 W
GW 42 206	12 W	GW 42 232	12 W

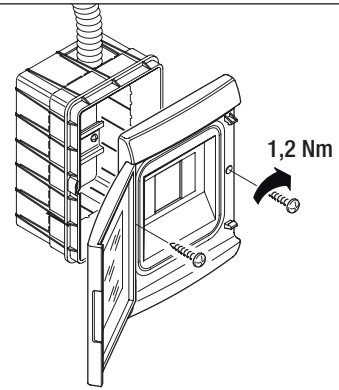




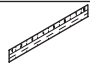





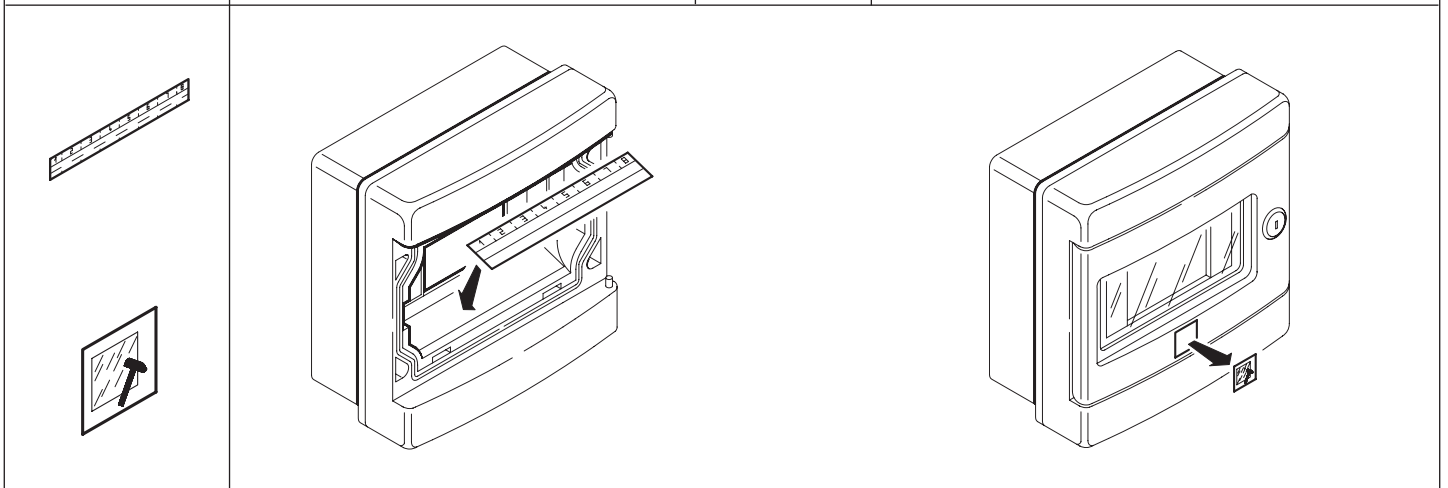
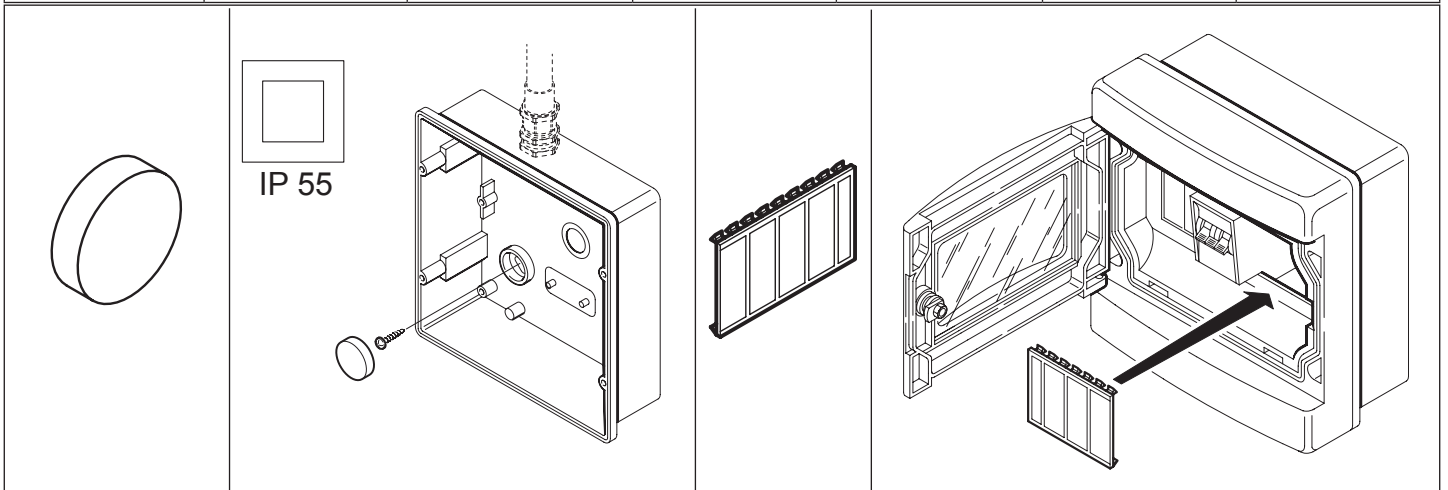
GW 42 207



GW 42 231
GW 42 232



						
GW 42 202	4	1	1	1	1	-
GW 42 203	4	-	-	1	1	-
GW 42 204	2	-	-	1	1	-
GW 42 206	2	-	1	1	1	-
GW 42 207	2	-	1	1	1	1
GW 42 208	4	1	1	1	1	-
GW 42 231	-	-	1	1	1	-
GW 42 232	-	-	1	1	1	-





GW 42 204 GW 42 206 GW 42 207	GW 42 213
GW 42 202 GW 42 203 GW 42 208	GW 42 212



	4M	8M	
COD.	GW 42 204 GW 42 206 GW 42 207	GW 42 202 GW 42 208	GW 42 203
A	180	180	180
B	108	180	180
C	100	100	100
A'	172	172	172
B'	100	172	172
C'	55	55	55
D	75	75	-
E	48	48	-
F	12,8	12,8	-
G	55	55	55
H	55	125	125
NR	2	3	3
I	84	84	84
L	-	100	100

IEC 60670-24 GP	
Un	400V
Ui	1000V
In	125A

IEC 60670-24 PD	
Un	400V
Ui	1000V
In	125A
IK	08

Ai sensi delle Decisioni e delle Direttive Europee applicabili, si informa che il responsabile dell'immissione del prodotto sul mercato Comunitario è:
 According to the applicable Decisions and European Directives, the responsible for placing the apparatus on the Community market is:
GEWISS S.p.A. Via A.Volta, 1 IT-24069 Cenate Sotto (BG) Italy Tel: +39 035 946 111 Fax: +39 035 946 270 E-mail: qualitymarks@gewiss.com