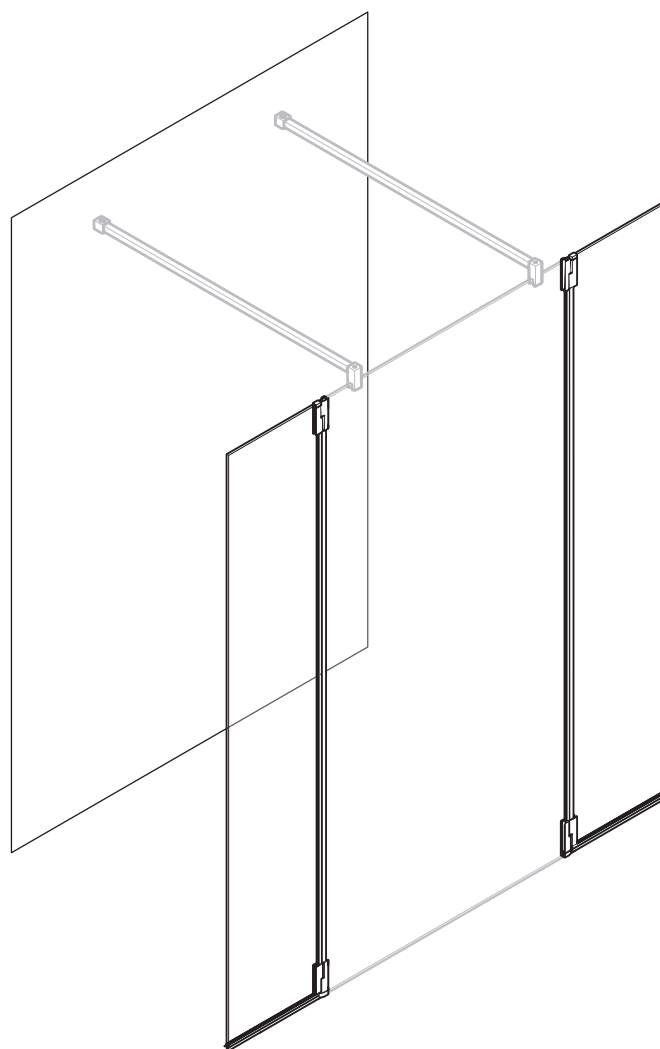
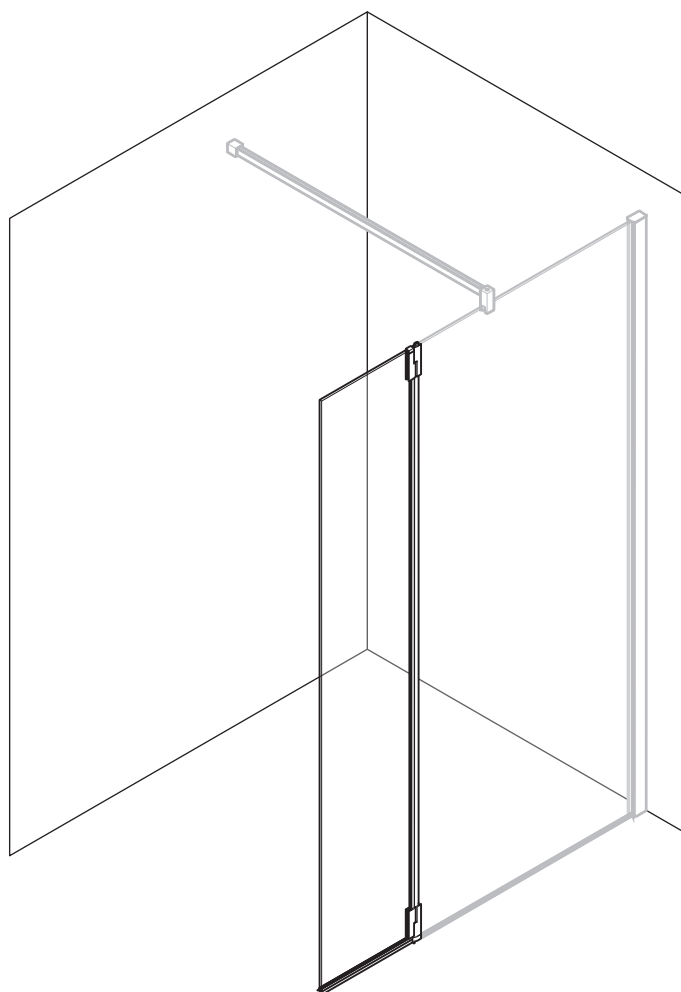
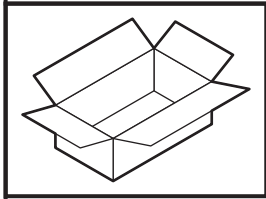
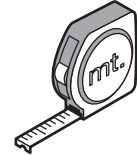
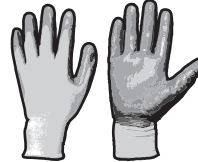
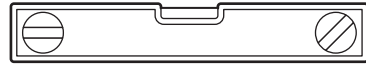
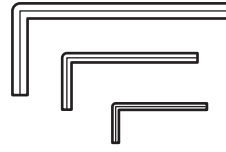
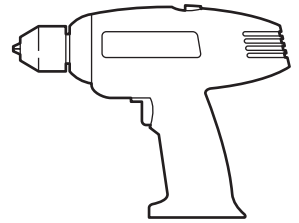
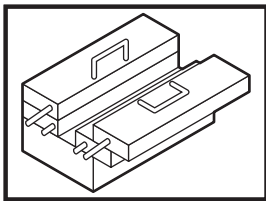


HA



<hr/> <hr/> <hr/> <hr/>	<hr/> <hr/> <hr/> <hr/>
-------------------------	-------------------------



x2



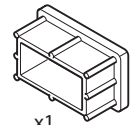
x1



x1



x1



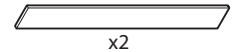
x1



x1



M4x5 x6



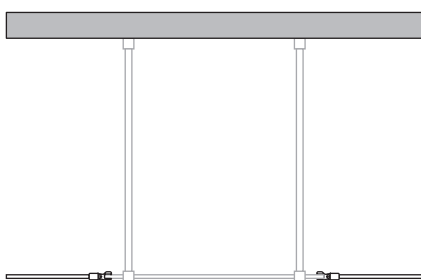
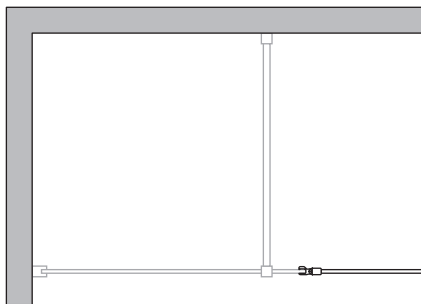
x2

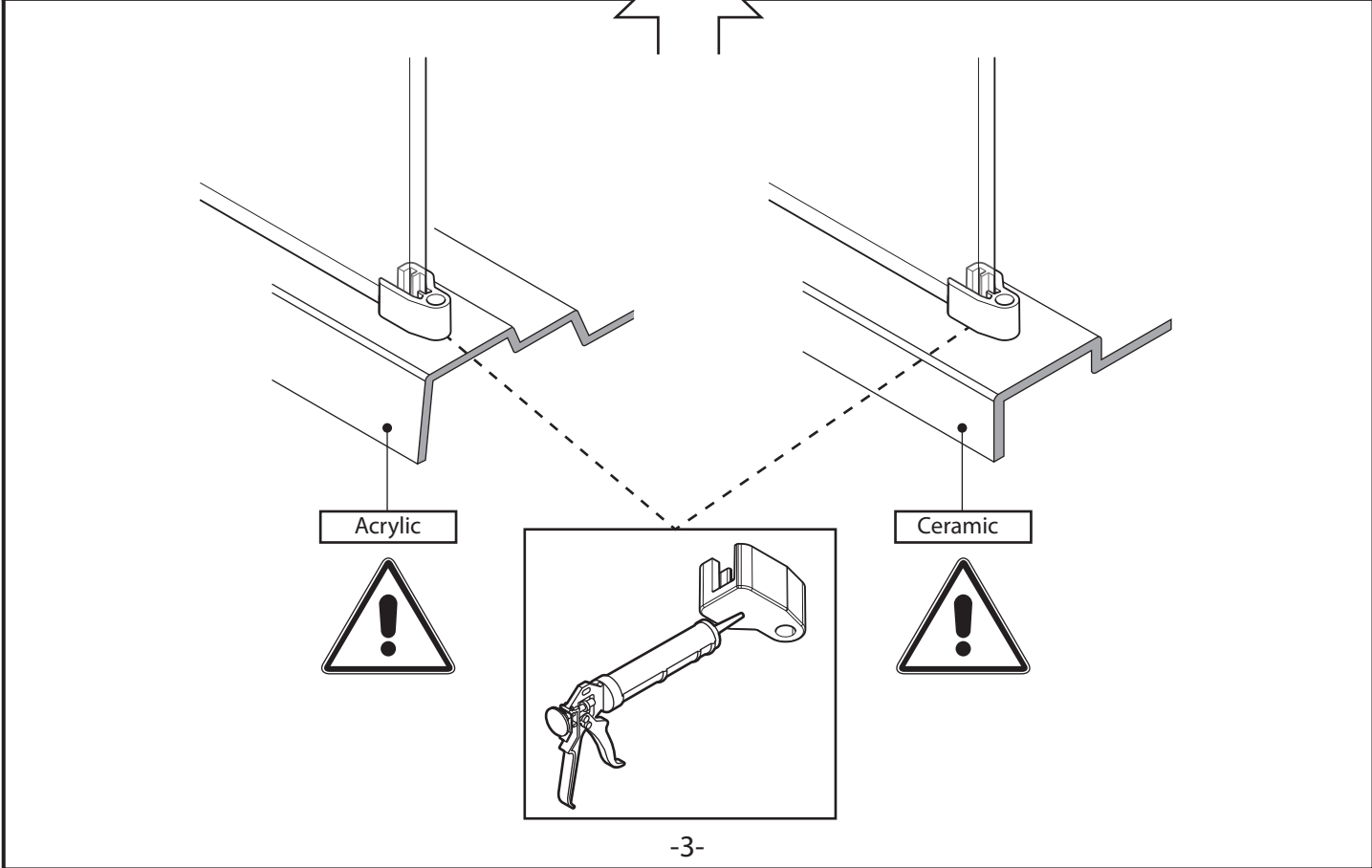
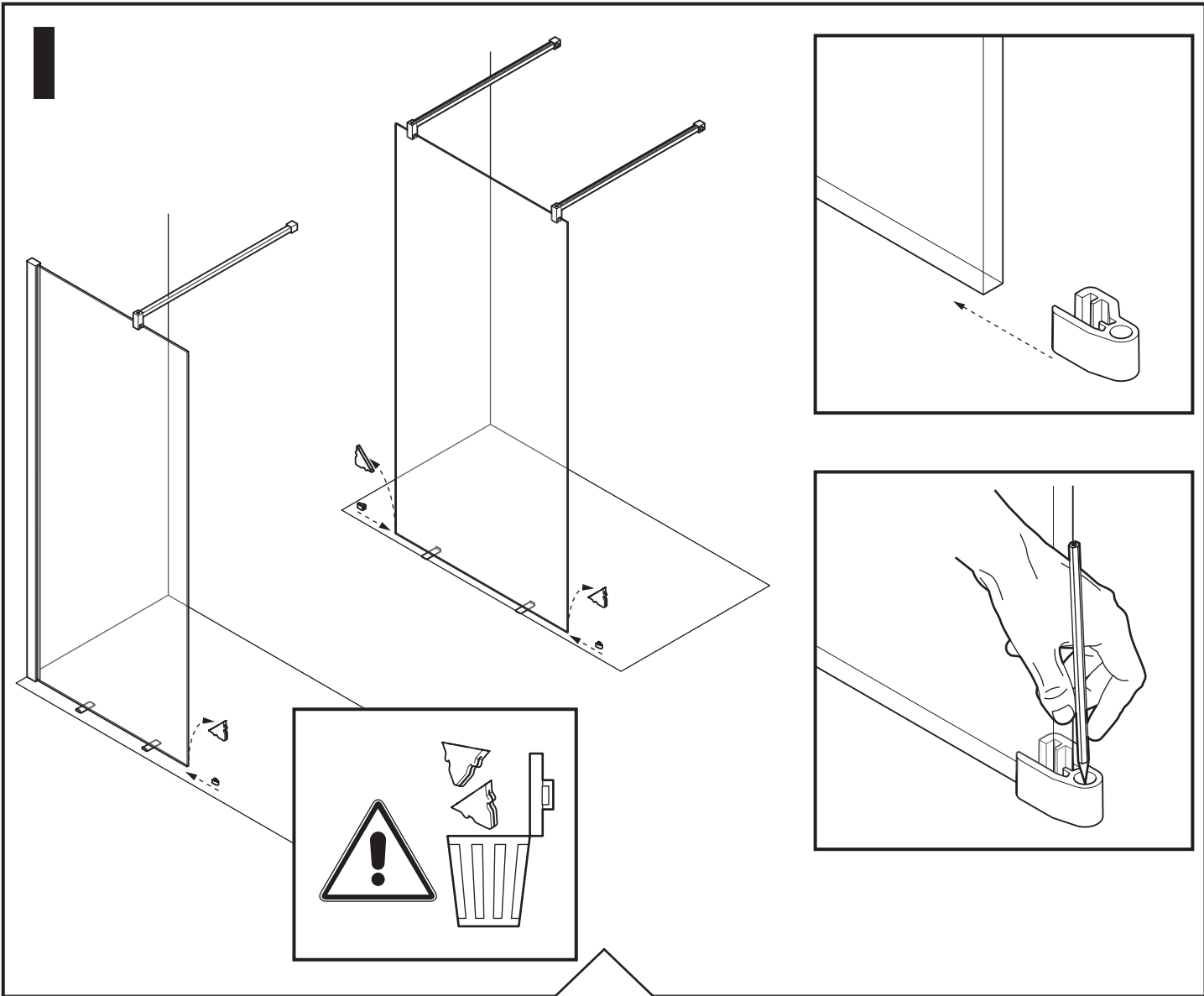


x1

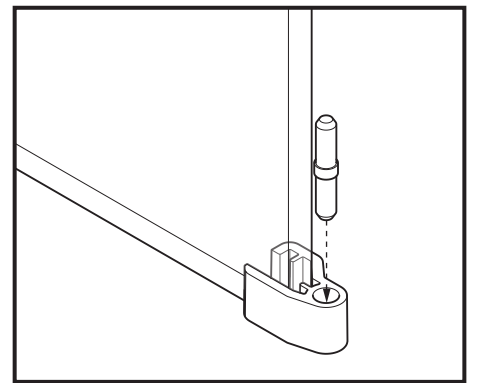
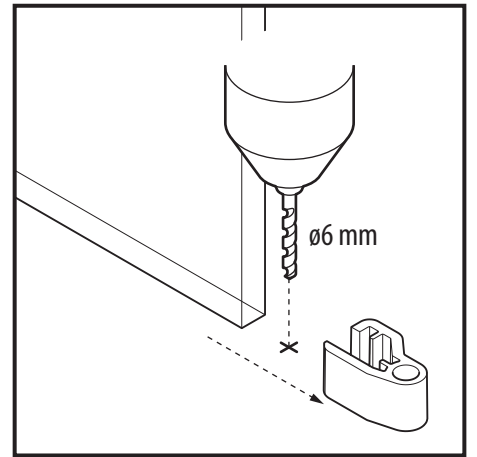
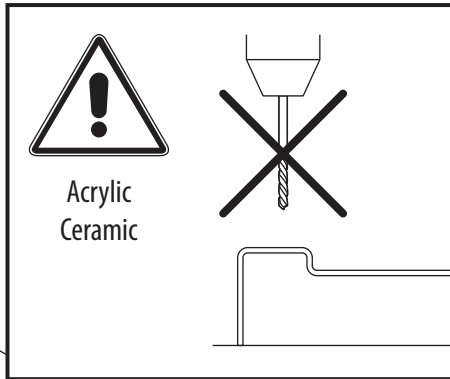
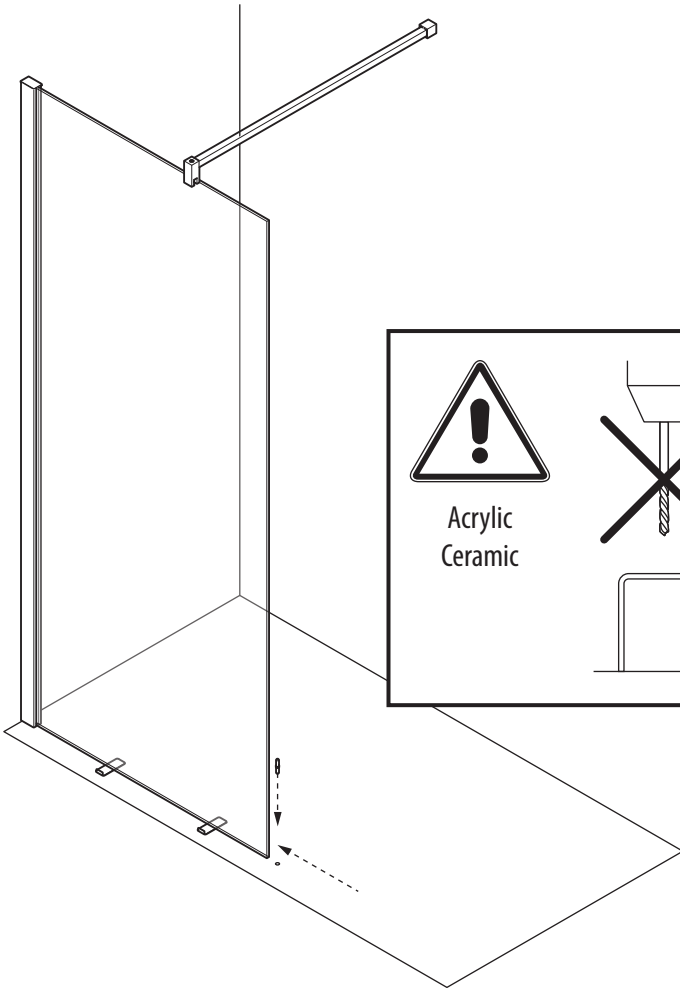


x2

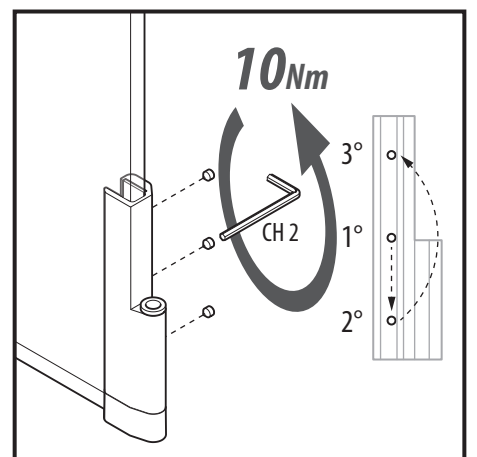
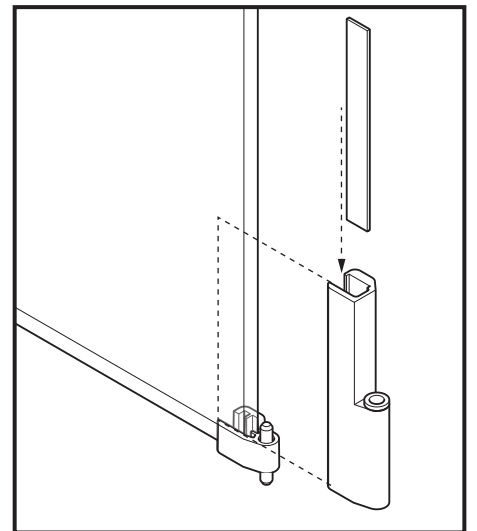
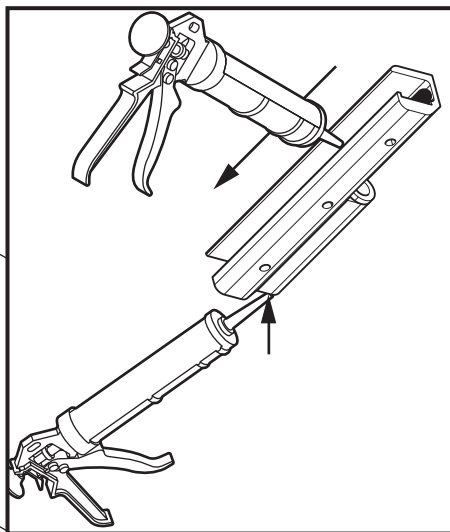
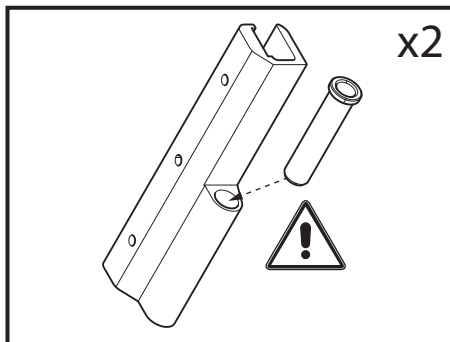
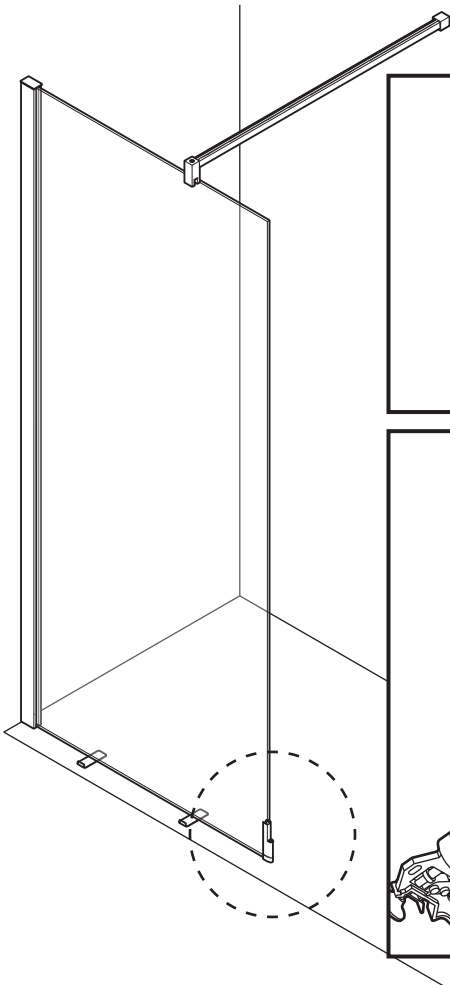




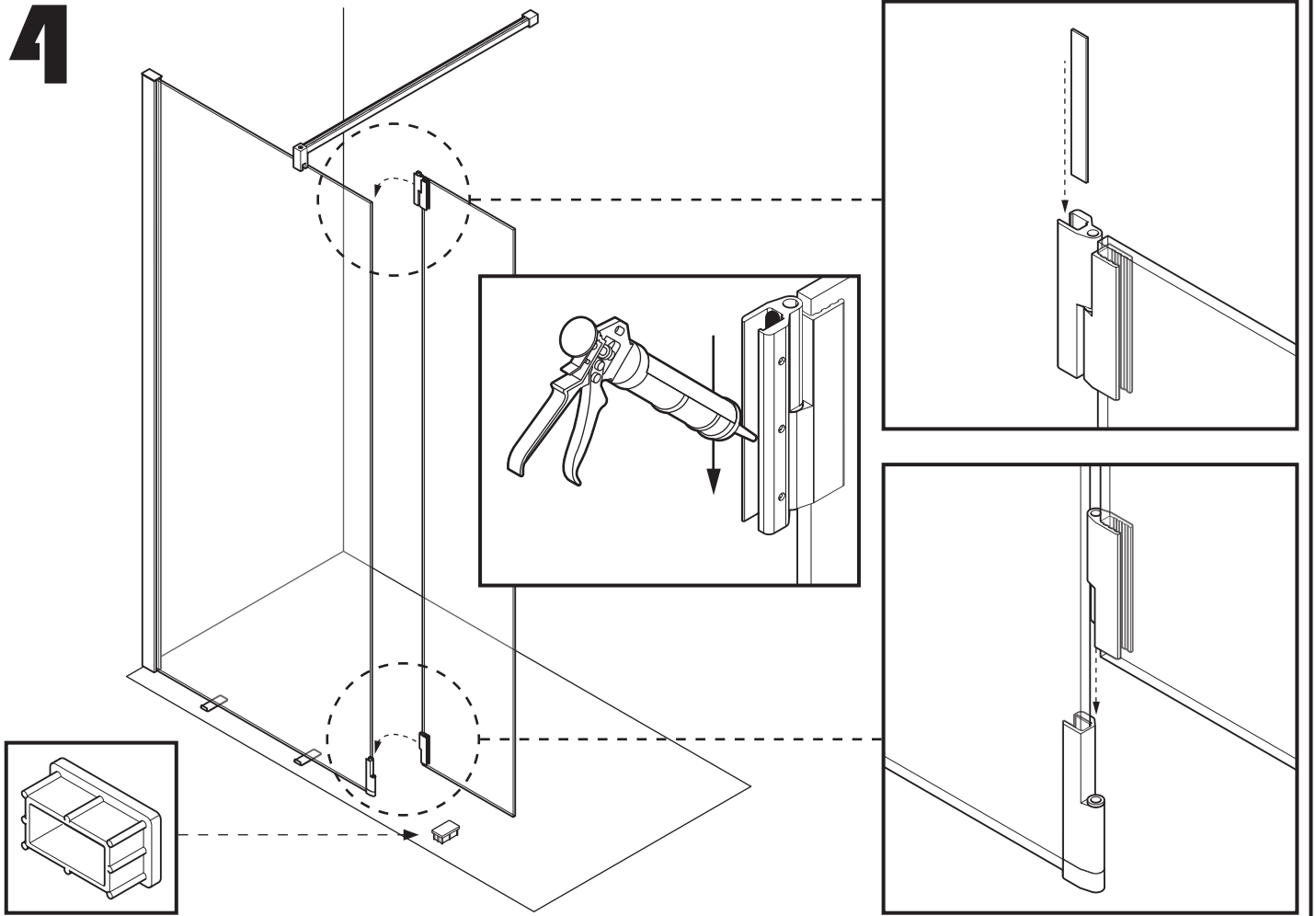
2



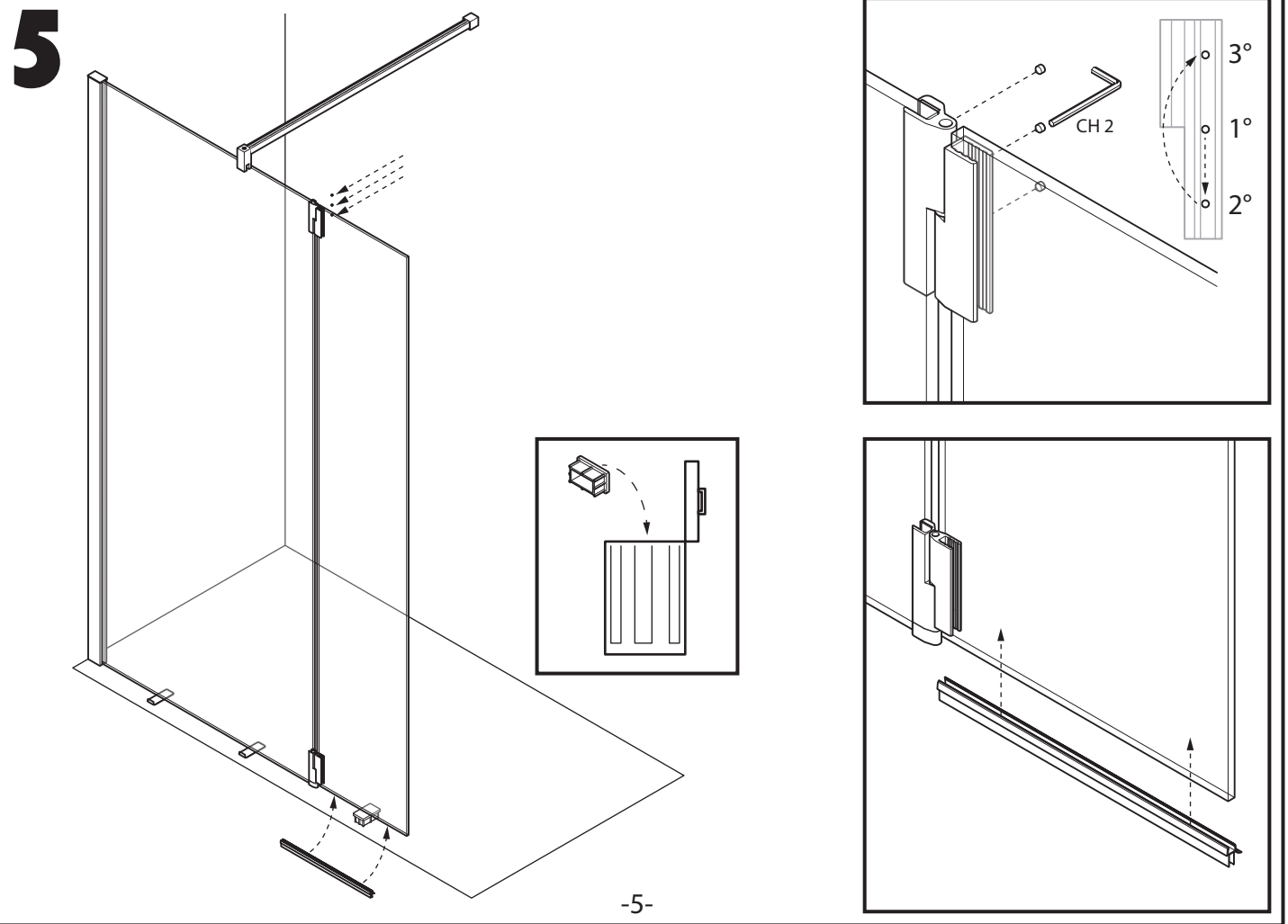
3

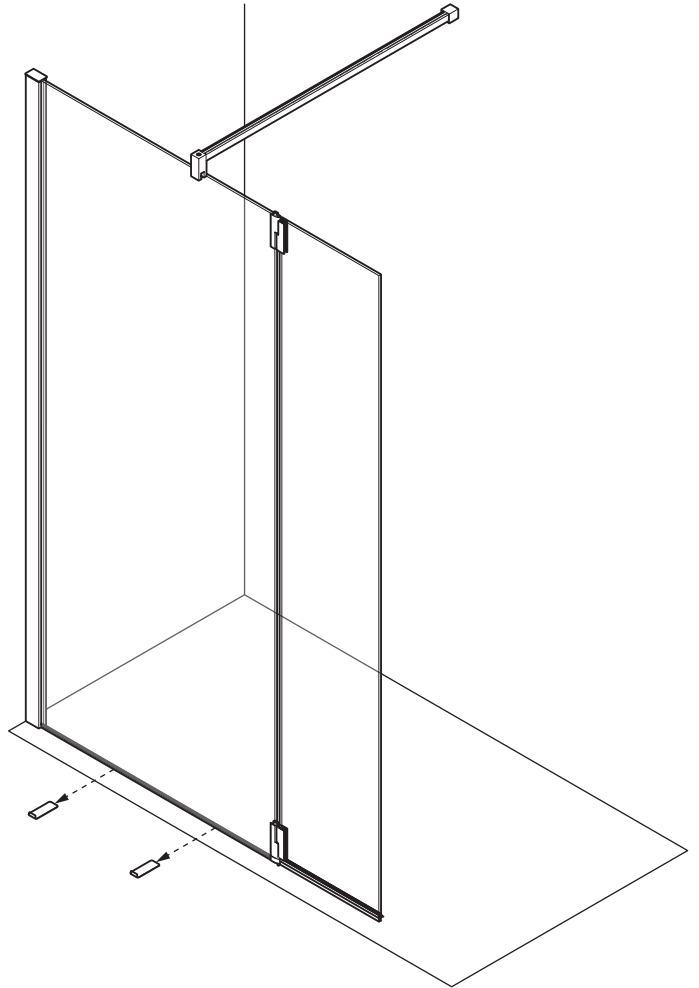
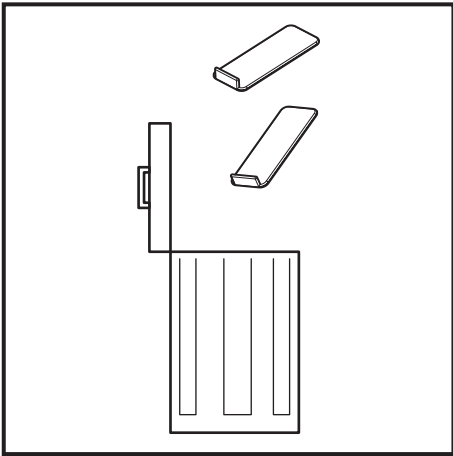
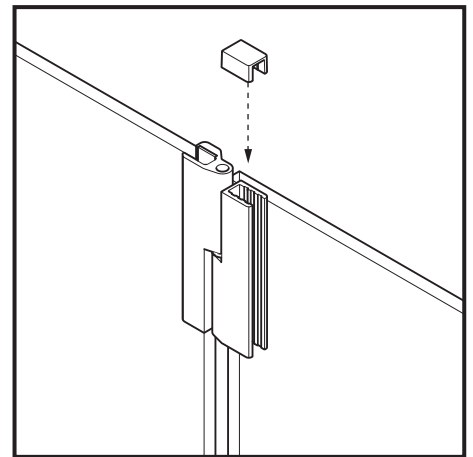
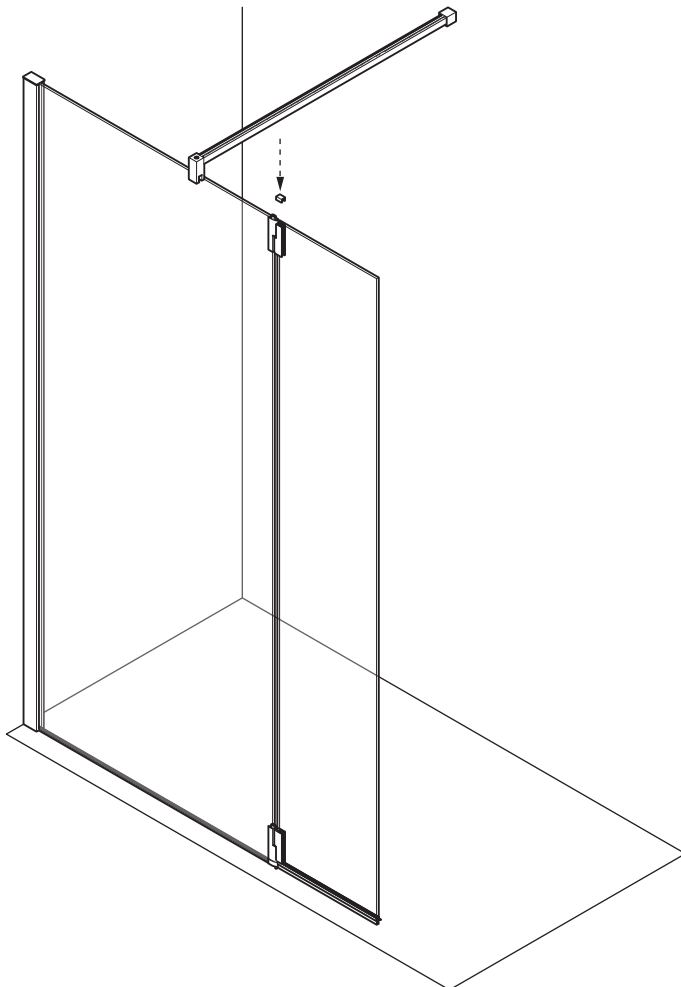


4

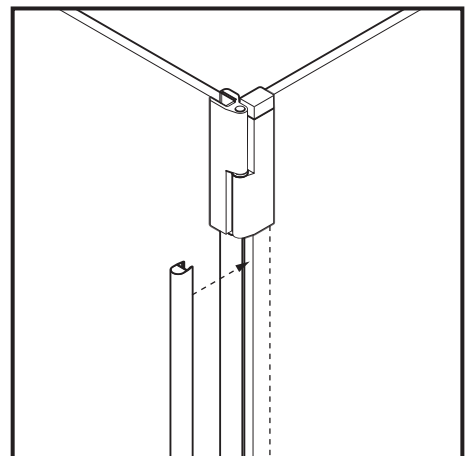
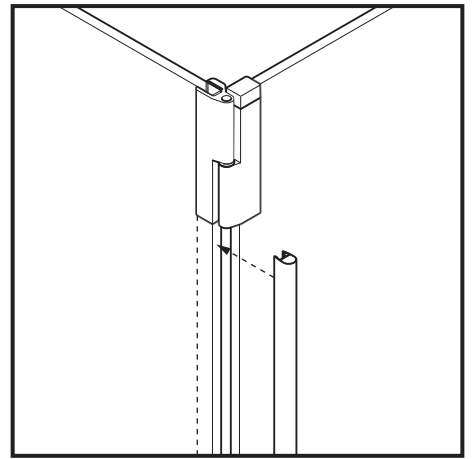
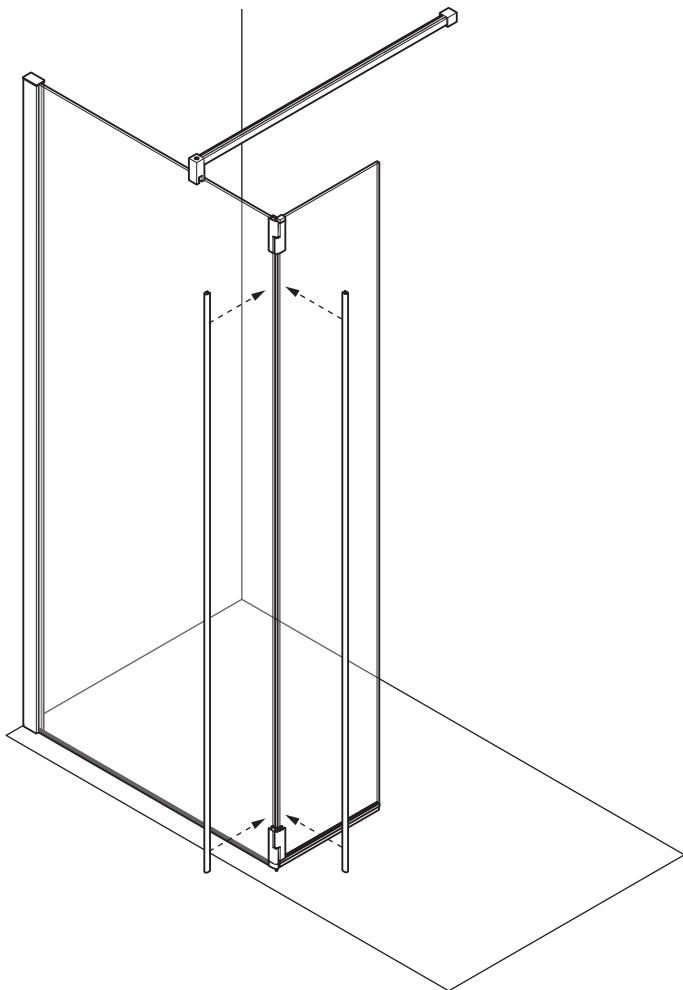


5



6**7**

8



9

