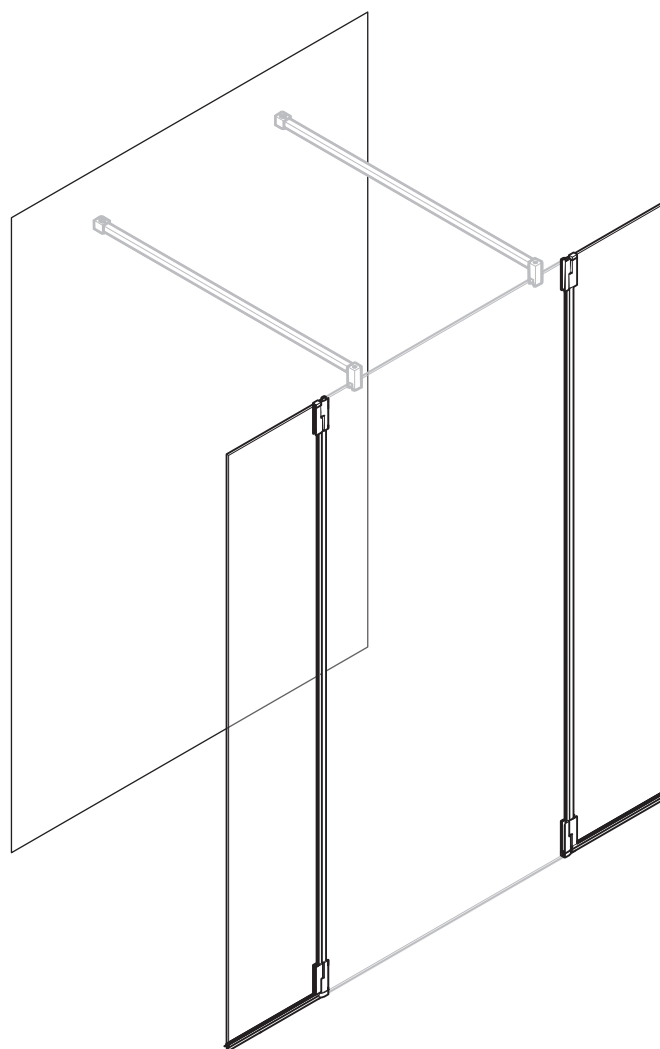
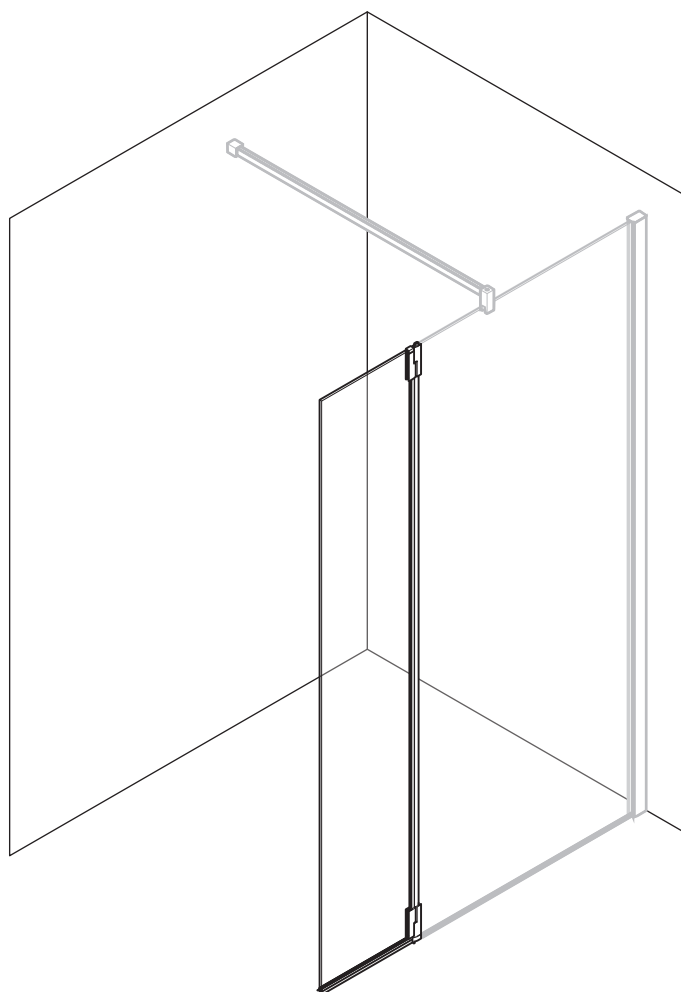
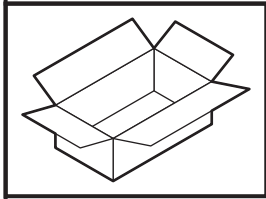
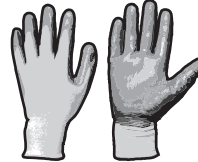
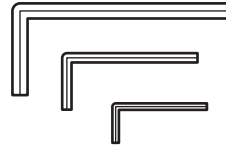
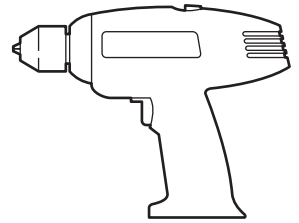
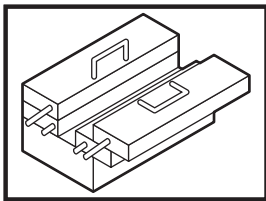


HA



<hr/> <hr/> <hr/> <hr/>	<hr/> <hr/> <hr/> <hr/>
-------------------------	-------------------------



x2



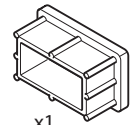
x1



x1



x1



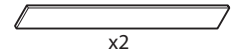
x1



x1



M4x5 x6



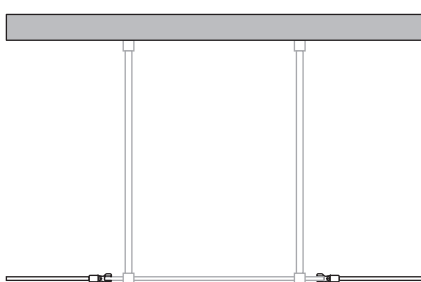
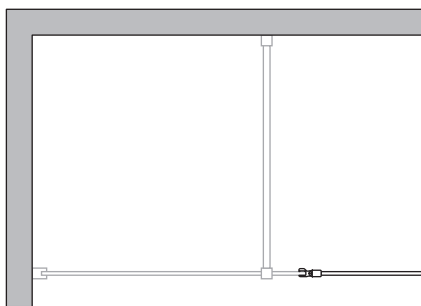
x2

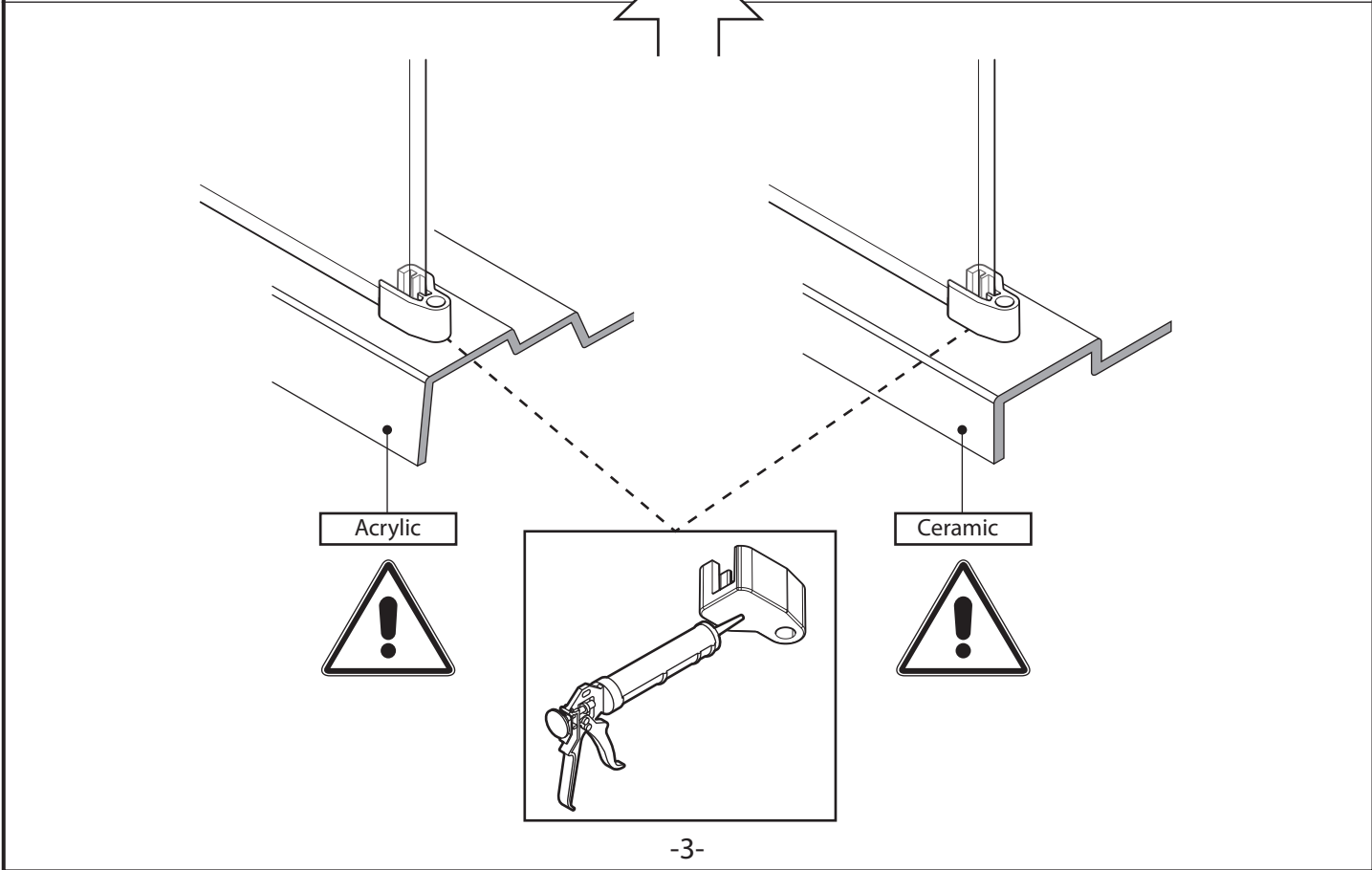
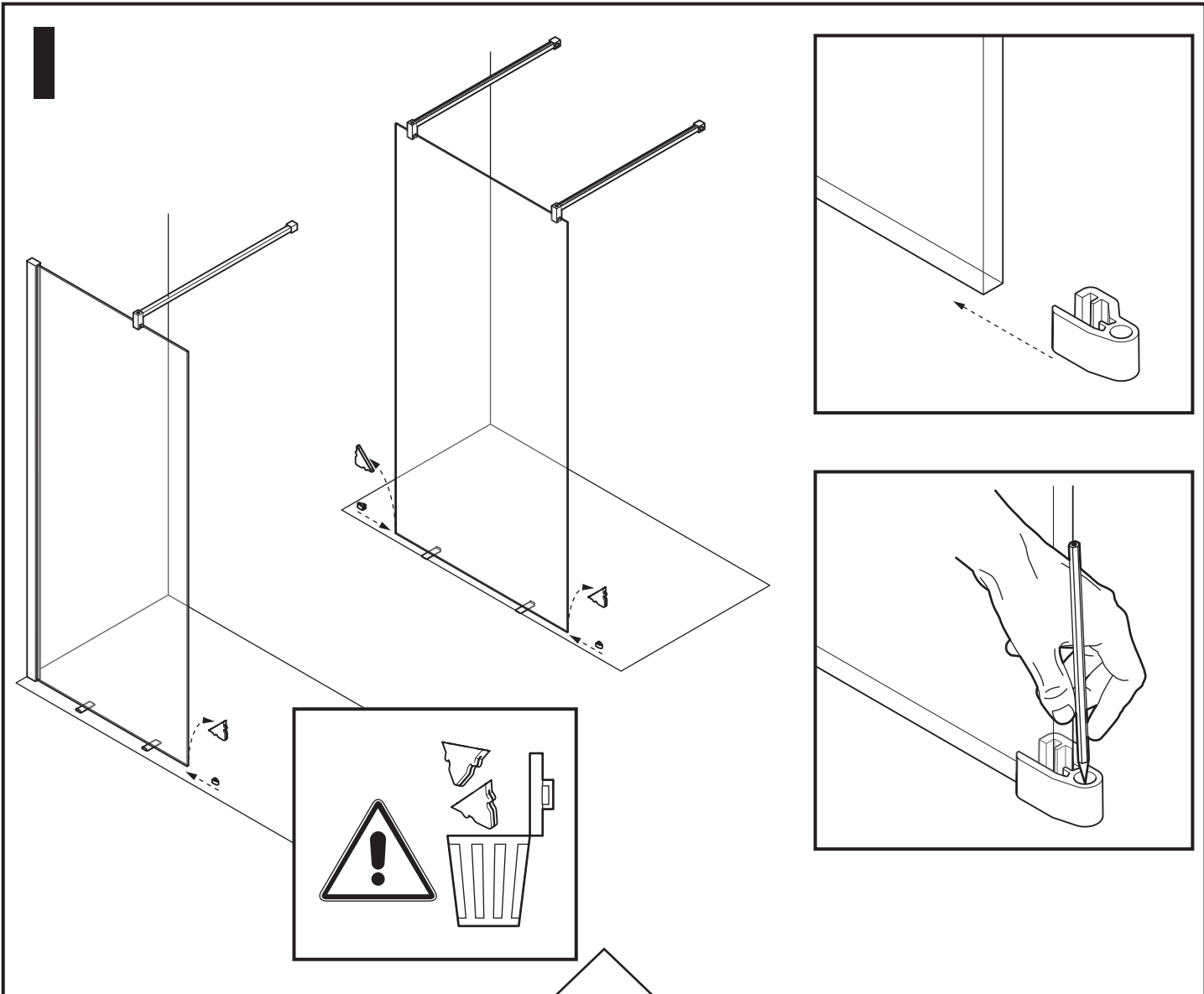


x1

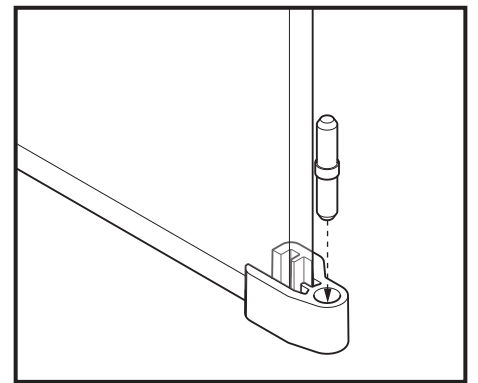
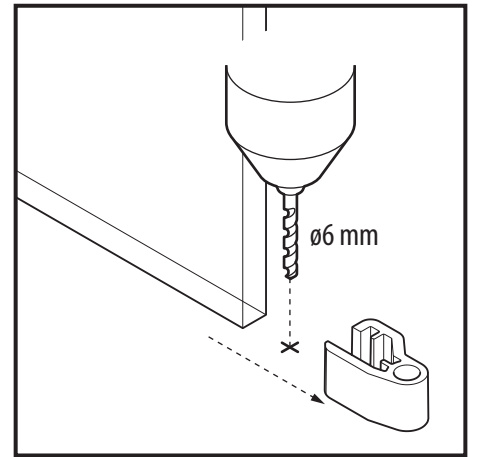
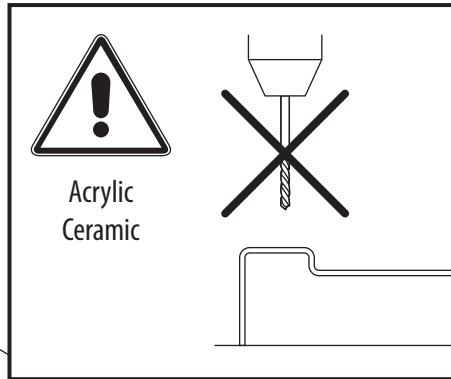
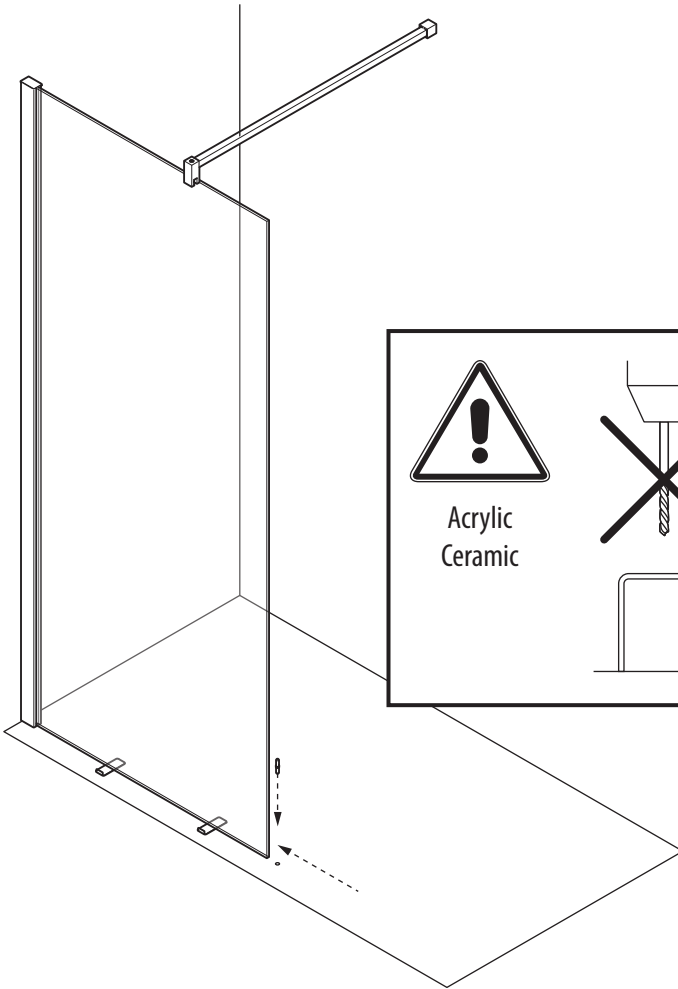


x2

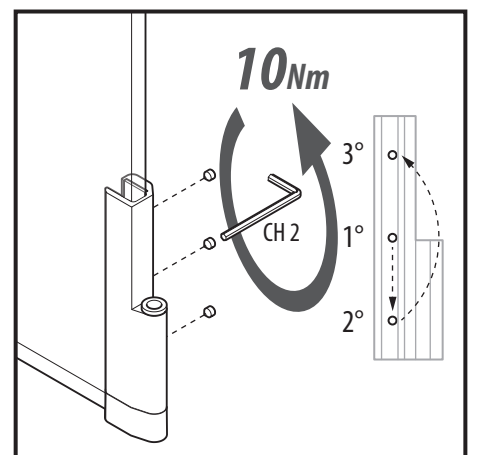
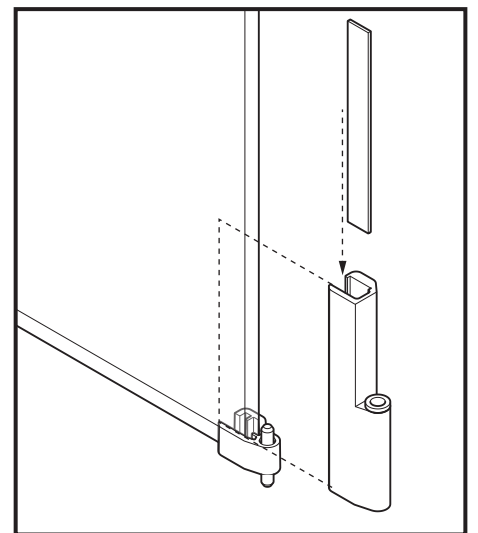
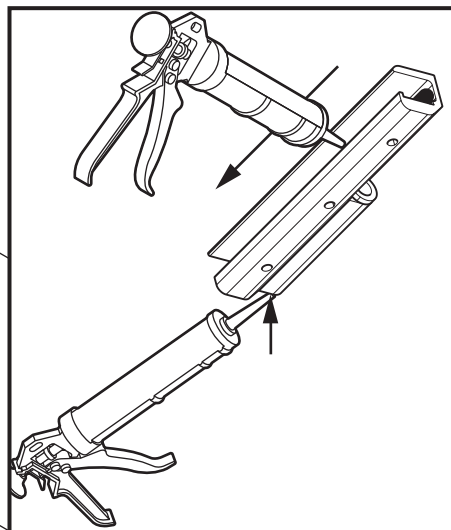
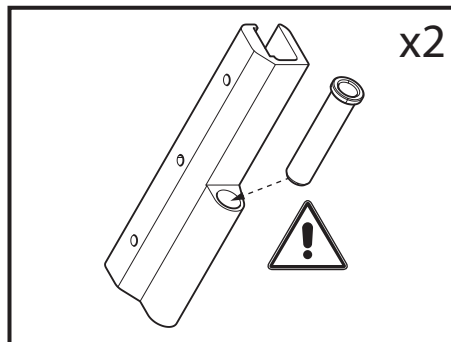
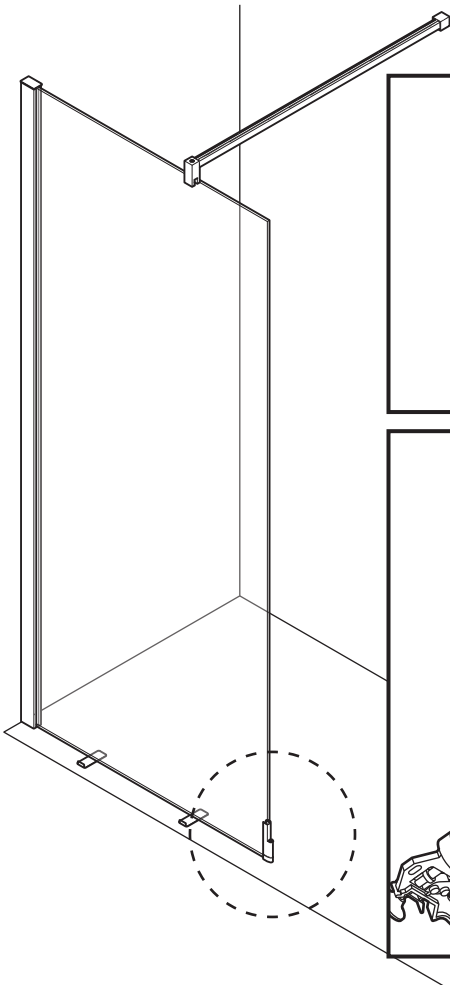




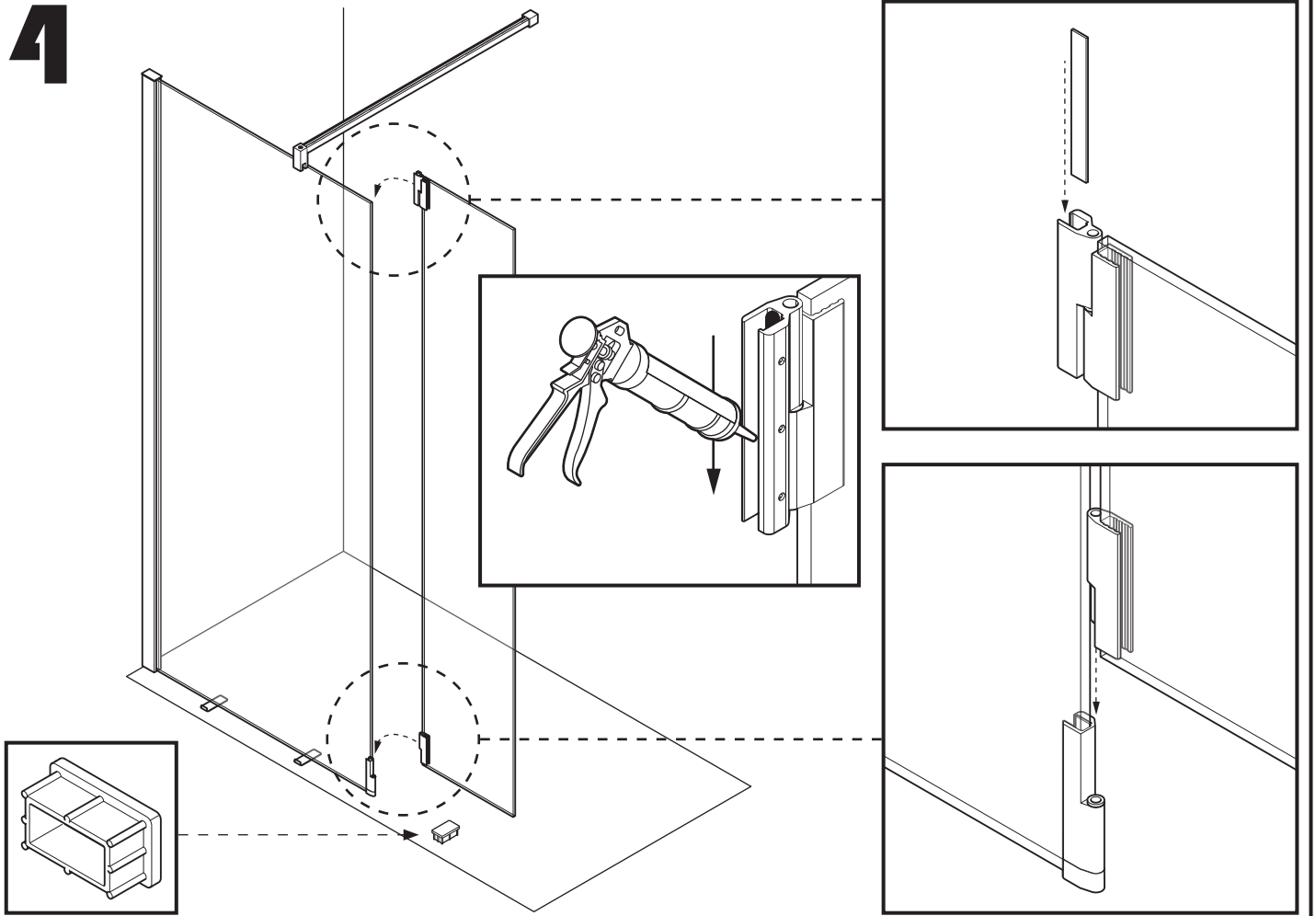
2



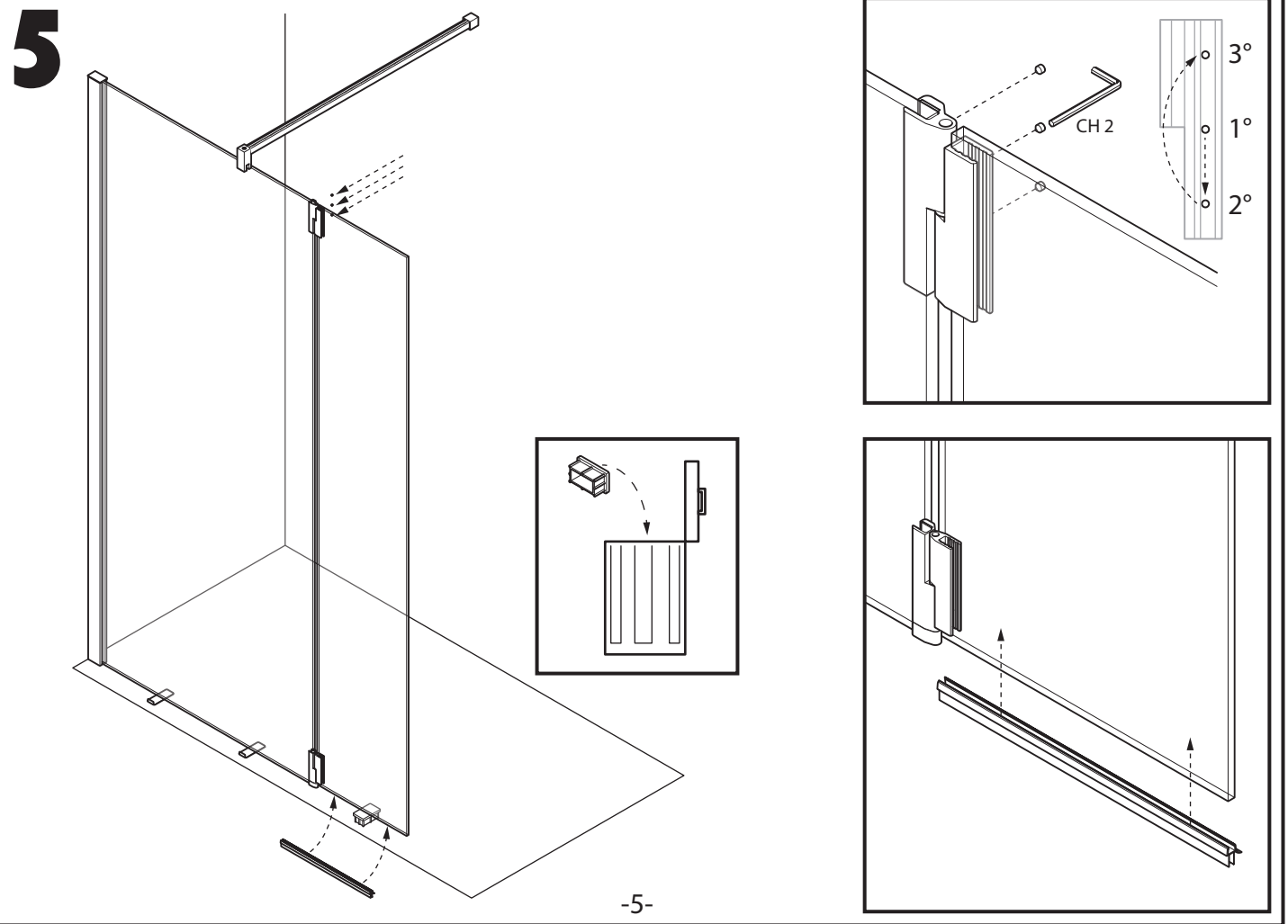
3



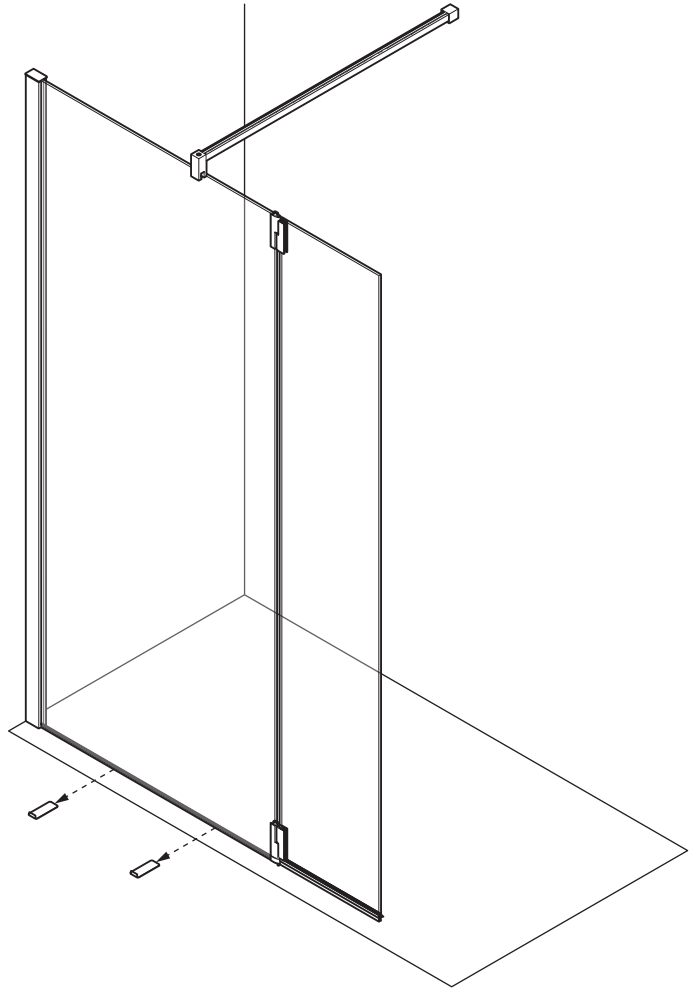
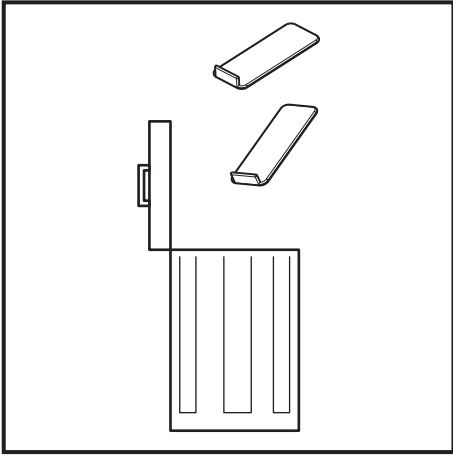
4



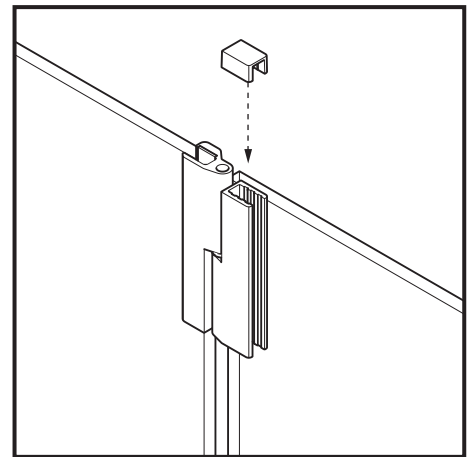
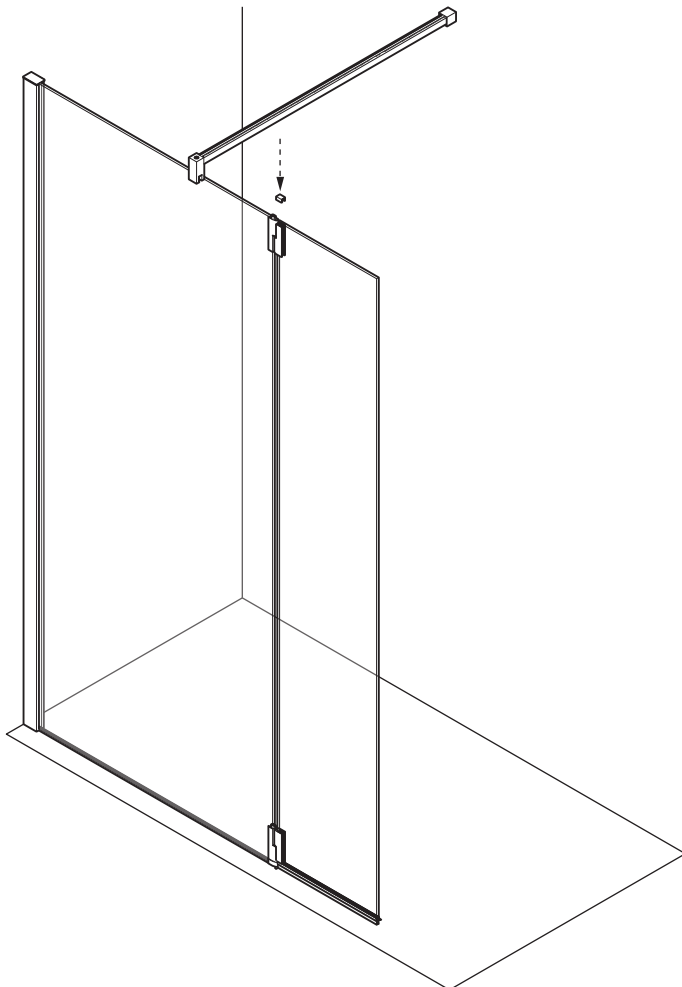
5



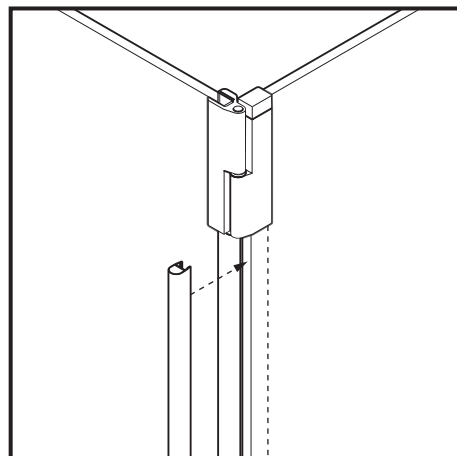
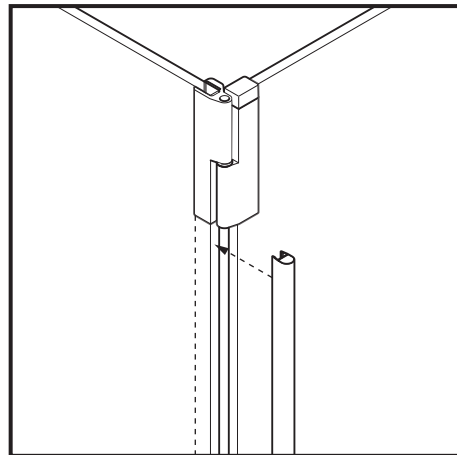
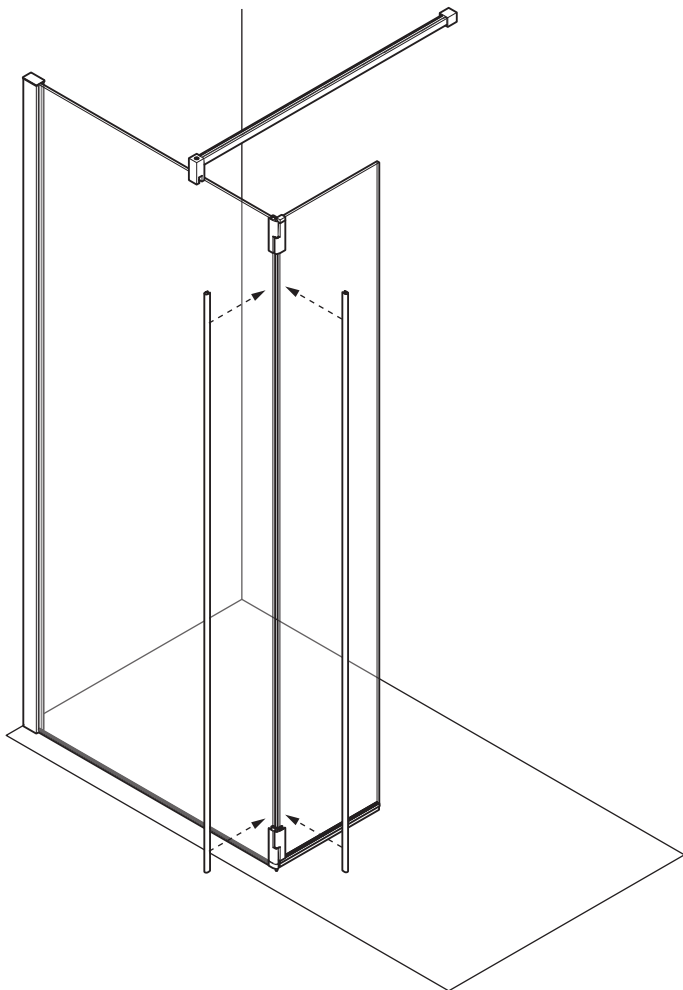
6



7



8



9

