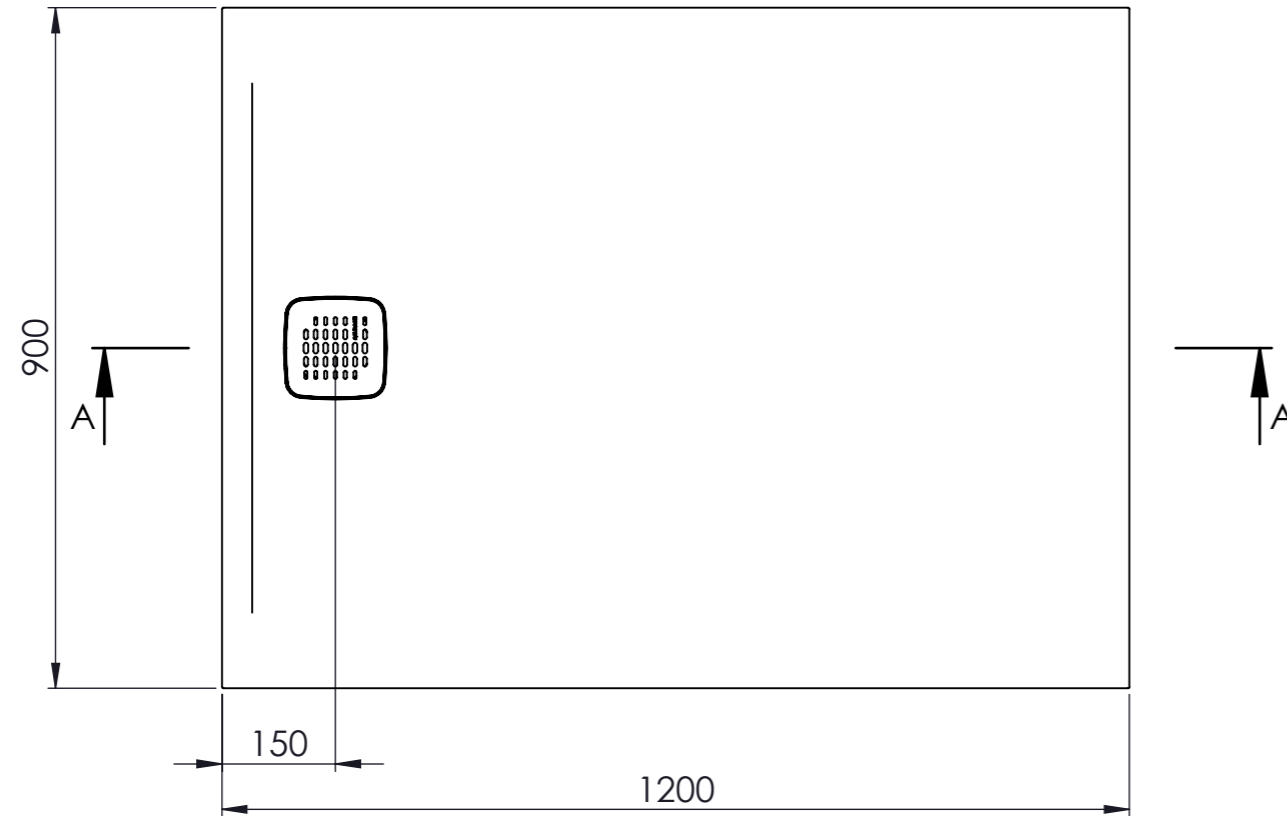
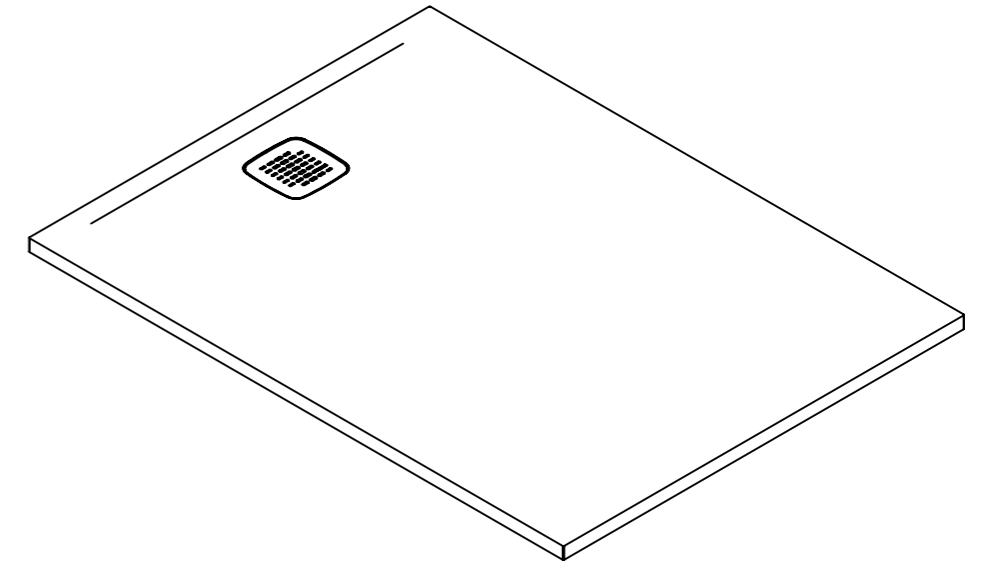
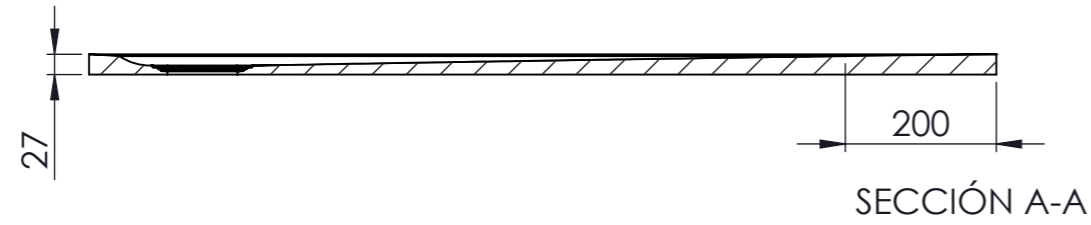
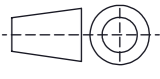
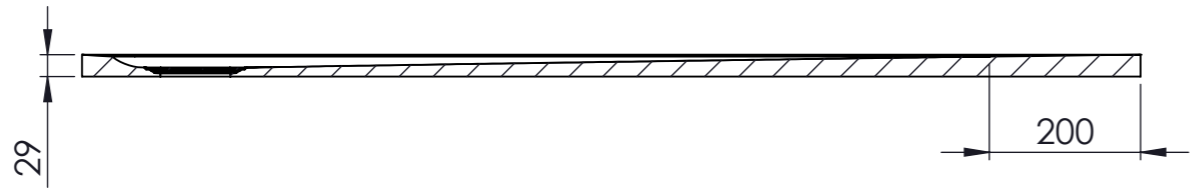


| REV. | DESCRIPTION | DATE | MOD. BY |
|------|-------------|------|---------|
|------|-------------|------|---------|

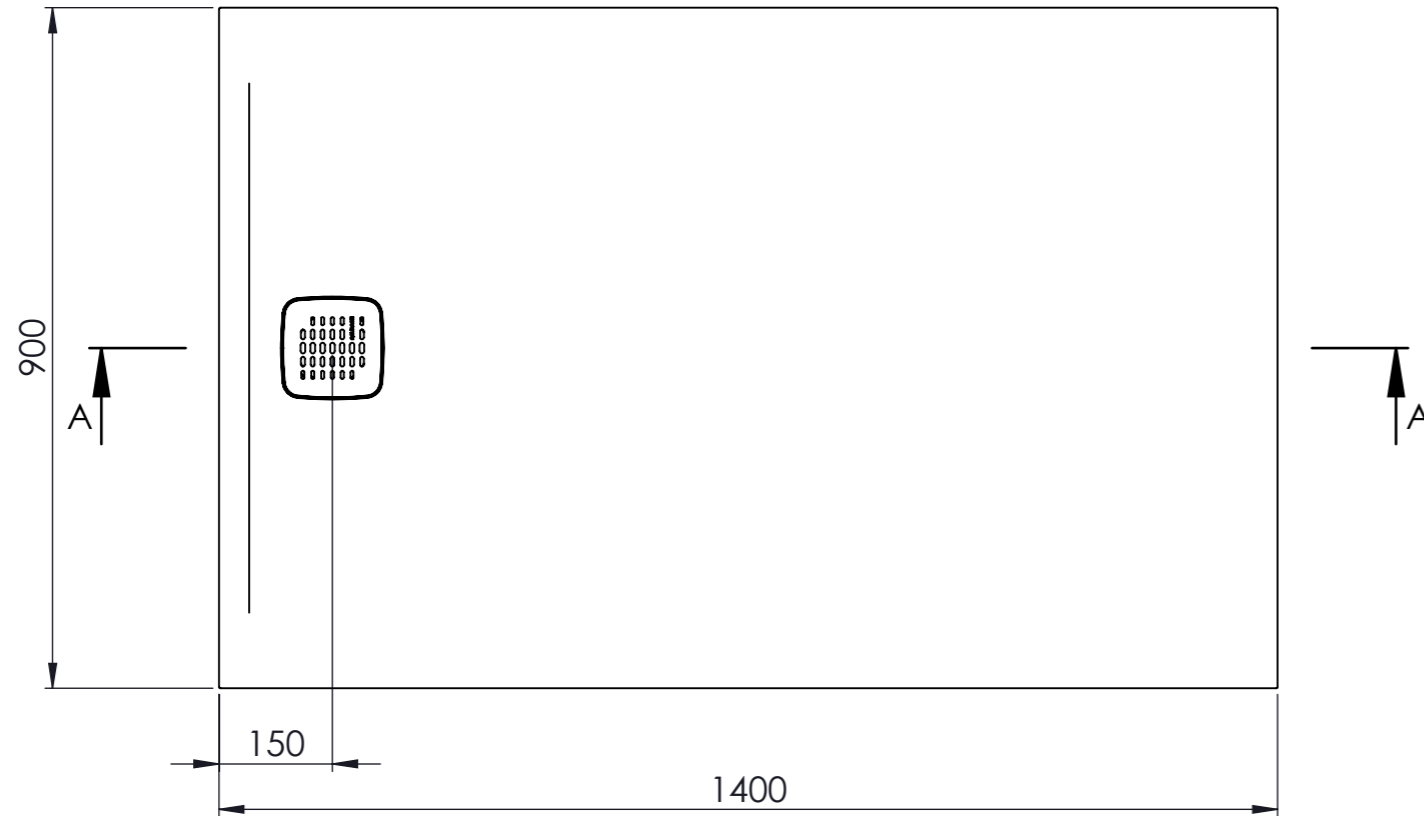
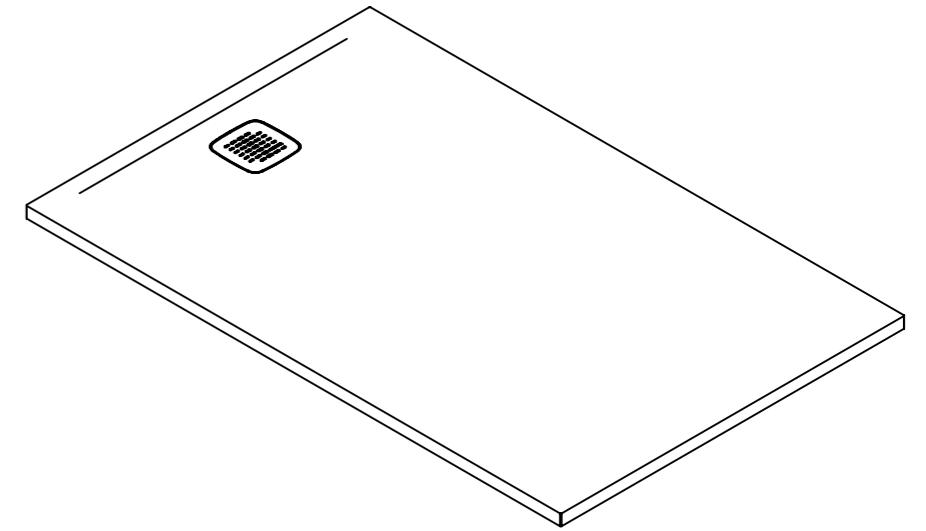


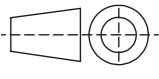
|              |             |              |                   |  |
|--------------|-------------|--------------|-------------------|--|
| CLIENT       | AQUANCE     | DESCRIPTION  | <b>B112000900</b> |  |
| NET VOLUME   | 23.14 l     | GROSS VOLUME | SCALE             | 1:10  |
| PAINTED AREA |             | MATERIAL     |                   |  |
| TYPE         | Shower Tray | FINISH       | MATE NATURE       | CODE   |
| DRAWN BY     | D.Moya      | DATE         | 16/01/2025        | <b>A3</b>  |
| VERIFIED BY  |             | DATE         |                   |  |

| REV. | DESCRIPTION | DATE | MOD. BY |
|------|-------------|------|---------|
|------|-------------|------|---------|

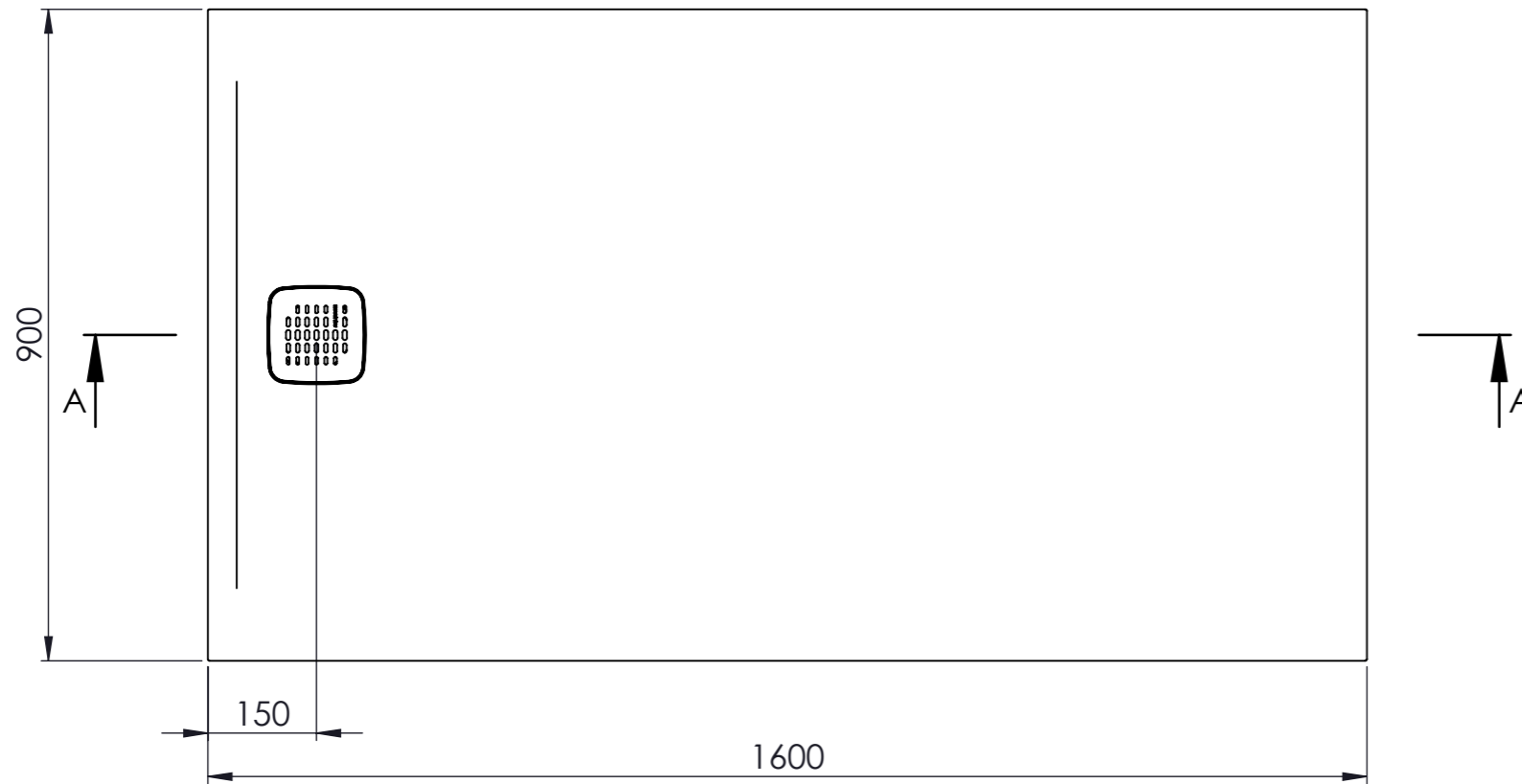
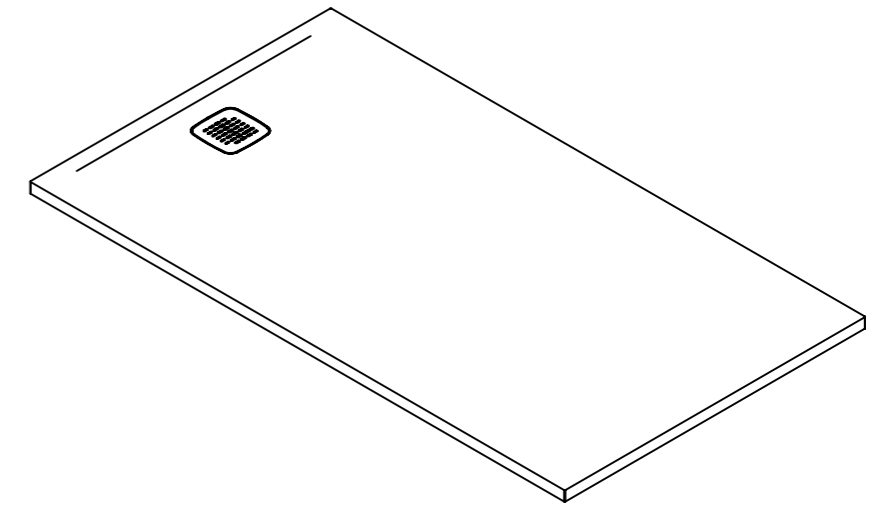
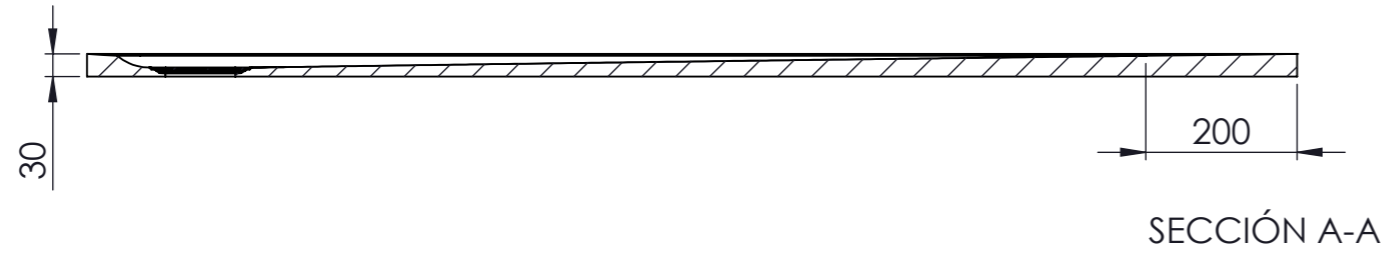


SECCIÓN A-A



|              |             |              |             |  |
|--------------|-------------|--------------|-------------|--|
| CLIENT       | AQUANCE     | DESCRIPTION  | B114000900  |  |
| NET VOLUME   | 28.64 l     | GROSS VOLUME | SCALE       | 1:10  |
| PAINTED AREA |             | MATERIAL     |             |  |
| TYPE         | Shower Tray | FINISH       | MATE NATURE | CODE   |
| DRAWN BY     | D.Moya      | DATE         | 16/01/2025  | A3   |
| VERIFIED BY  |             | DATE         |             |  |
|              |             |              |             | <b>moldcom</b><br>composites s.l   |

| REV. | DESCRIPTION | DATE | MOD. BY |
|------|-------------|------|---------|
|------|-------------|------|---------|



|              |             |                   |                     |  |
|--------------|-------------|-------------------|---------------------|--|
| CLIENT       | AQUANCE     | DESCRIPTION       |                     |  |
|              |             | <b>B116000900</b> |                     |  |
| NET VOLUME   | 33.6 l      | GROSS VOLUME      | SCALE               |  |
|              |             |                   | <b>1:10</b>         |  |
| PAINTED AREA |             | MATERIAL          |                     |  |
| TYPE         | Shower Tray | FINISH            | CODE                |  |
|              |             | <b>MAURE</b>      | <b>BIB112000900</b> |  |
| DRAWN BY     | D.Moya      | DATE              | <b>A3</b>           |  |
|              |             | 16/01/2025        |                     |  |
| VERIFIED BY  |             | DATE              |                     |  |