

1 2 3 4 5 6 7 8

A

A

B

B

C

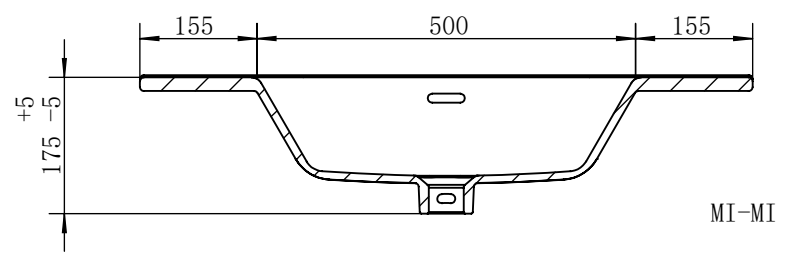
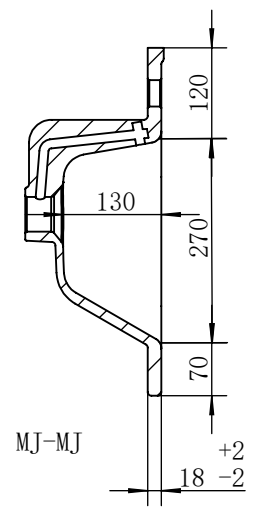
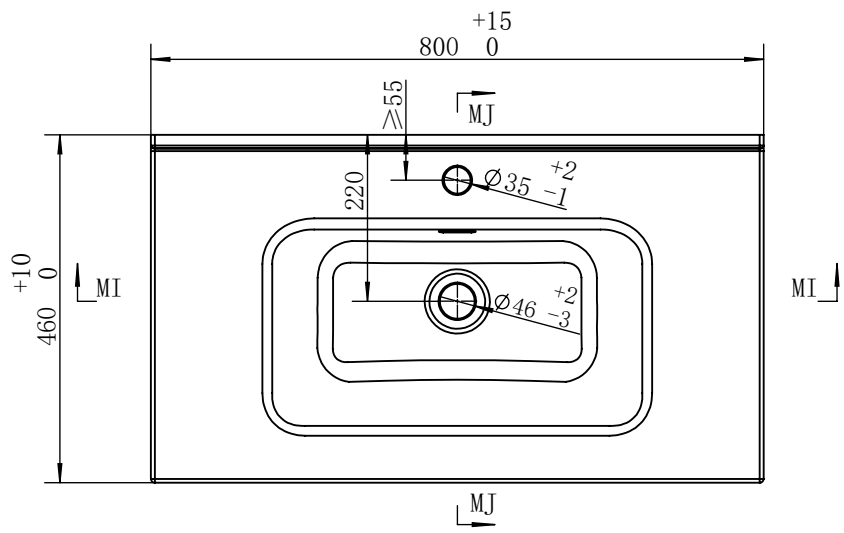
C

D

D

E

E



4015-81: :810*460*180
 size which do not mark down tolerances,
 tolerances should be +/-6mm

MATERIAL: Ceramic		DO NOT SCALE DRAWING	SHEET 1 OF 1
SCALE: 1: 10	COLOR: White	ITEM: 4015-81	EDITOR: Clara Su
FORMAT: A4	UNIT: mm		
DATE: 17/8/2020			

1 2 3 4