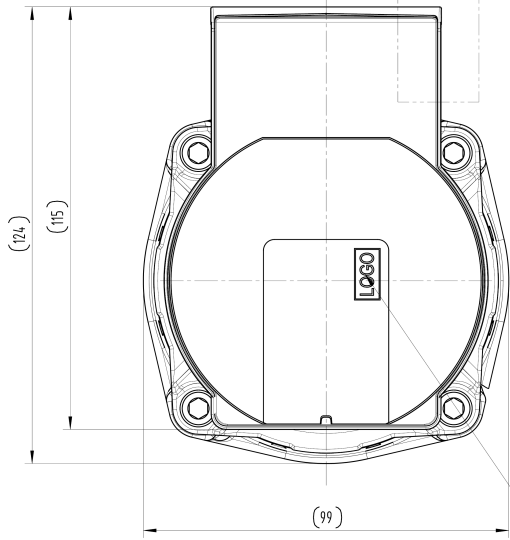
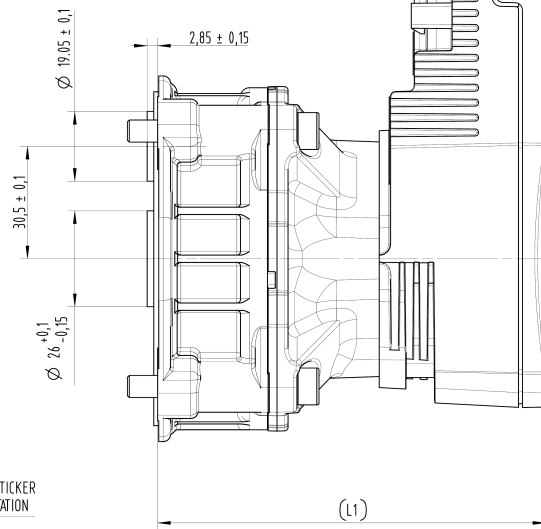


ALL COMPONENTS MUST COMPLY WITH THE LATEST STATUS OF THE EUROPEAN LEGISLATION ON THE RESTRICTION OF THE USE OF CERTAIN HAZARDOUS SUBSTANCES (RoHS) AND ON THE IDENTIFICATION OF THE INTRINSIC PROPERTIES OF CHEMICAL SUBSTANCES (REACH). CHECK REVISION AND STATUS BEFORE USE.

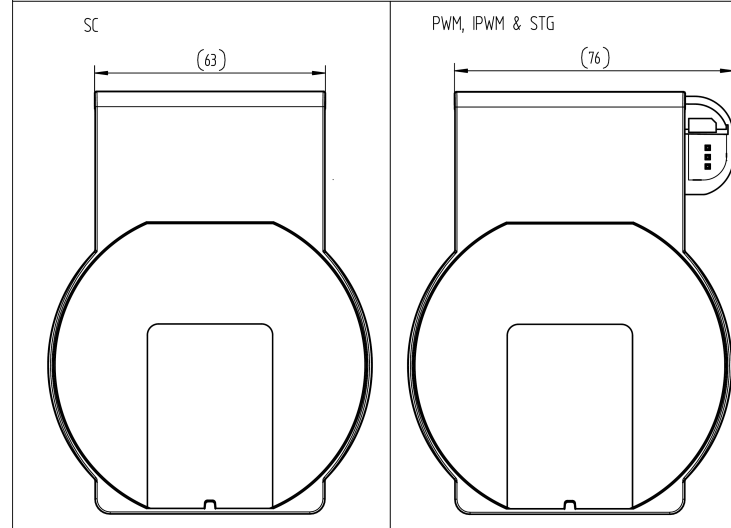
ZONE DEFINIE SELON VERSION / AREA DEFINED ACCORDING TO VERSION
VOIR DETAIL / SEE DETAIL



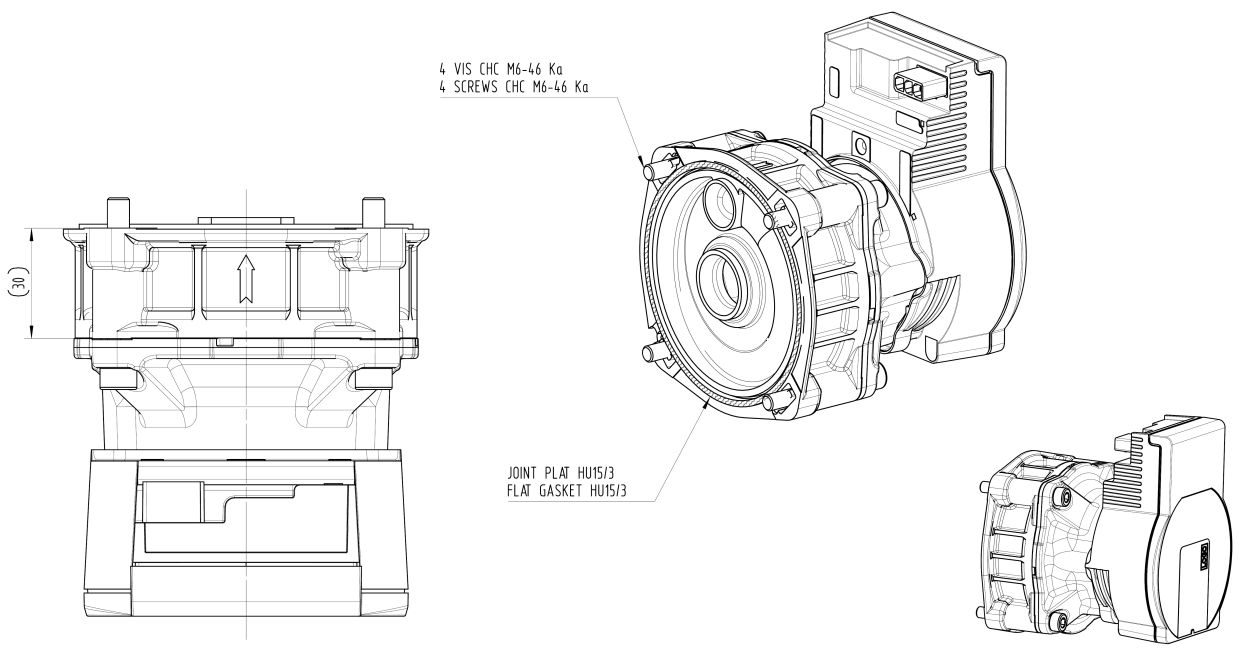
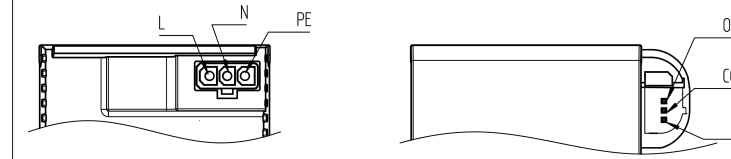
SENS DE LECTURE DU STICKER
SHOWS STICKER ORIENTATION



/*** DETAIL VERSIONS



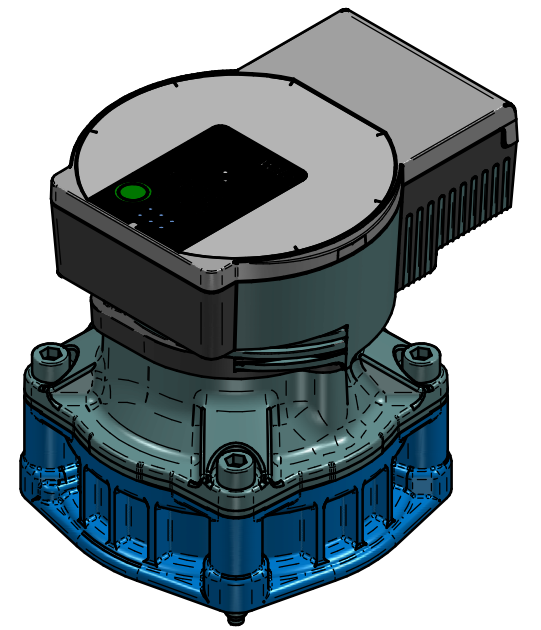
IDENTIFICATION DES CONTACTS ELECTRIQUES / IDENTIFICATION OF THE ELECTRICAL CONTACTS



/6	106
/7	106
/8	117
/*	L1

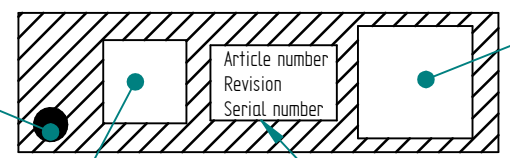
COUPLES DE VISSAGE SUIVANT SPECIFICATION TECHNIQUE 4523690 (CC)
SCREWING TORQUE ACCORDING TO TECHNICAL SPECIFICATION 4523690 (CC)

Study:	Standards Valid for / Referenced on Drawing:	Specifications:	Doc. Status:	Dev. Level:	SAP Material No.:
		C2D.1	70	DL100	
Calc. Weight:	Unit:	Drawing Size:	Page:	Dimensions without Tolerance Indication:	Specifications for Surfaces:
	mm	A2	1/1		
Basic Material:			Scale: 1:1		
Designation:					
Para HU15/***.12					
Para HU15/***.12					
AA 212395 2022-03-15 RICOBA			Replacement for:		
Rev. Chg No. Date Name			SAP Document No.		
Release: 2022-03-15 GUILLAUMEFR			1000552397		
			Rev. Part		
			AA 001		
			Vers. 01		



Label informations :

Black point for location of the label



BDR Thermea logo

Informations written on the label

Datamatrix according to 7629138

SUPPLIER DRAWING UPDATE				EG21022	
Change Description				Refers To	
DIMENSION TOLERANCE TO ISO 14405		QUALITY SIGNIFICANCE: [C] DENOTES A CRITICAL DIMENSION. DEVIATION FROM THE SPECIFICATION MAY COMPROMISE THE SAFETY AND/OR THE FUNCTIONALITY OF THE FINISHED PRODUCT.		Tolerance: -	
A3	Sheet No.: 1 of 1	First Angle Projection		Material specification:	
Units: mm	Scale: 1:2			Creator: Maurer, Jerome	
BDR THERMEA GROUP				Date of Issue: 08-Sep-2022	
Title: PUMP MOTOR WILLO PARA HU15/6-50/12H				Revision: 02	
Release Status: Released		Work In Progress When Blank		Item Number: 7794247	

THE REPRODUCTION, DISTRIBUTION AND UTILIZATION OF THIS DOCUMENT AS WELL AS THE COMMUNICATION OF ITS CONTENTS TO OTHERS WITHOUT EXPRESS AUTHORIZATION IS PROHIBITED. OFFENDERS WILL BE HELD LIABLE FOR THE PAYMENT OF DAMAGE. ALL RIGHTS RESERVED IN THE EVENT OF THE GRANT OF A PATENT, UTILITY MODEL OR DESIGN.

COMMUNICATION, USE, ADAPTATION AND COPY FORBIDDEN WITHOUT ANY WRITTEN AUTHORIZATION.

Template version: 23 Apr 2020