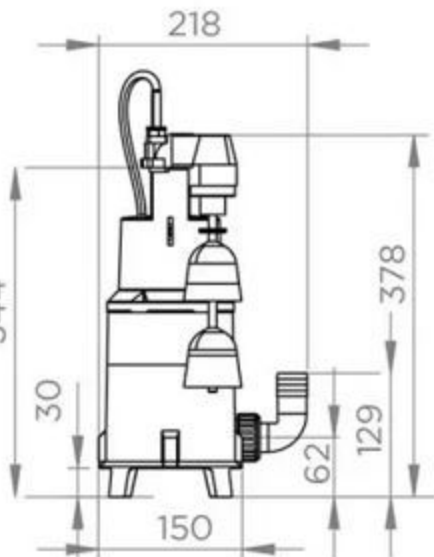
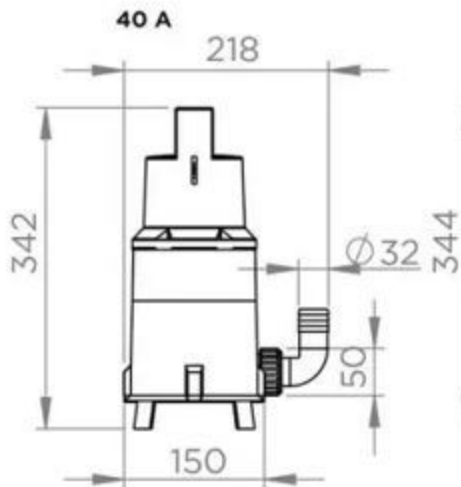


**Sanisub ZPK 30 A / 40 A**



**Sanisub ZPK 40 AV**